

Model# 0120-L

Two Handle Cast Brass Kitchen Faucet

FEATURES & SPECIFICATIONS

- Canopy Handles
- Replaceable Seats
- 3-Hole 8" Installation

FINISHES

- PC Polished Chrome

STANDARDS

- ASME A112.18.1
- CUPC / IAPMO LISTED
- ANSI A117.1 / ADA COMPLIANT



WARRANTY

- Lifetime Limited Warranty
- Lifetime Residential Warranty
- 5 Year Commercial Warranty

0120-L/REV. 11 2016

Product Specifications subject to change without notice

Job Name _____ Date _____

Model Specified _____ QTY _____

Customer/Wholesaler _____

Contractor _____

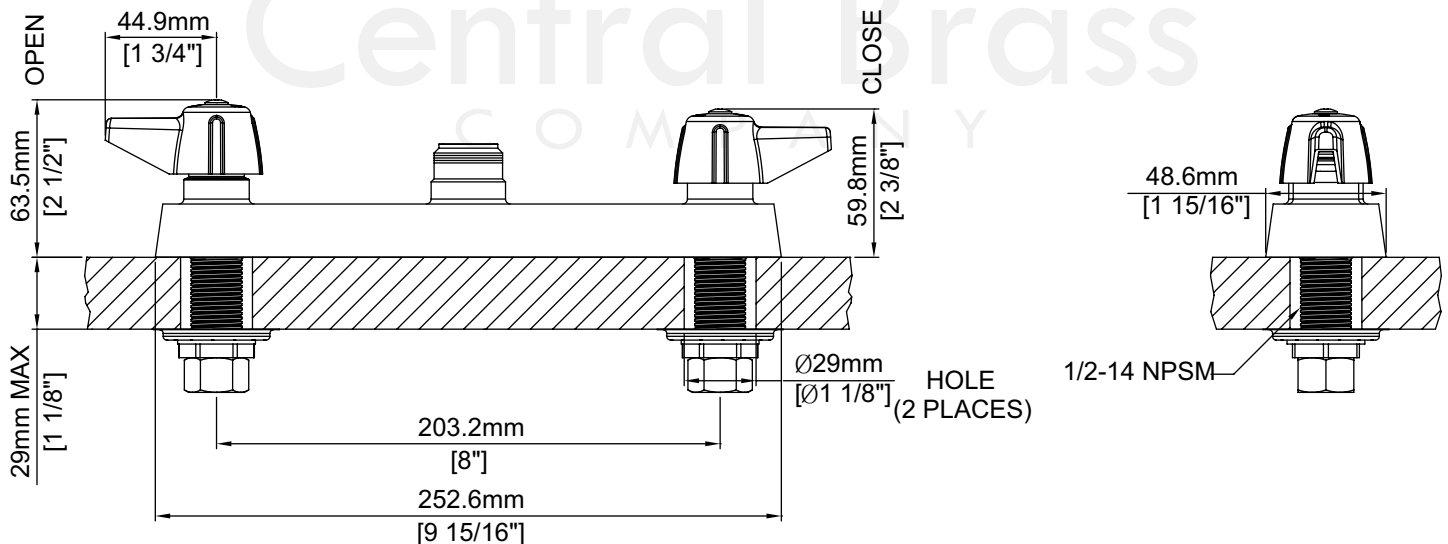
Architect/Engineer _____

Submitted as Shown _____

Submitted w/ Variations _____

Model# 0120-L

Two Handle Cast Brass Kitchen Faucet



0120-L/REV. 11 2016

Product Specifications subject to change without notice