

Central Brass

COMPANY

SPECIFICATION SHEET

Date: _____

TWO HANDLE LAUNDRY FAUCET



Model #: _____
Specific Features: _____
Project Name: _____
Submitted For: _____
Date: _____

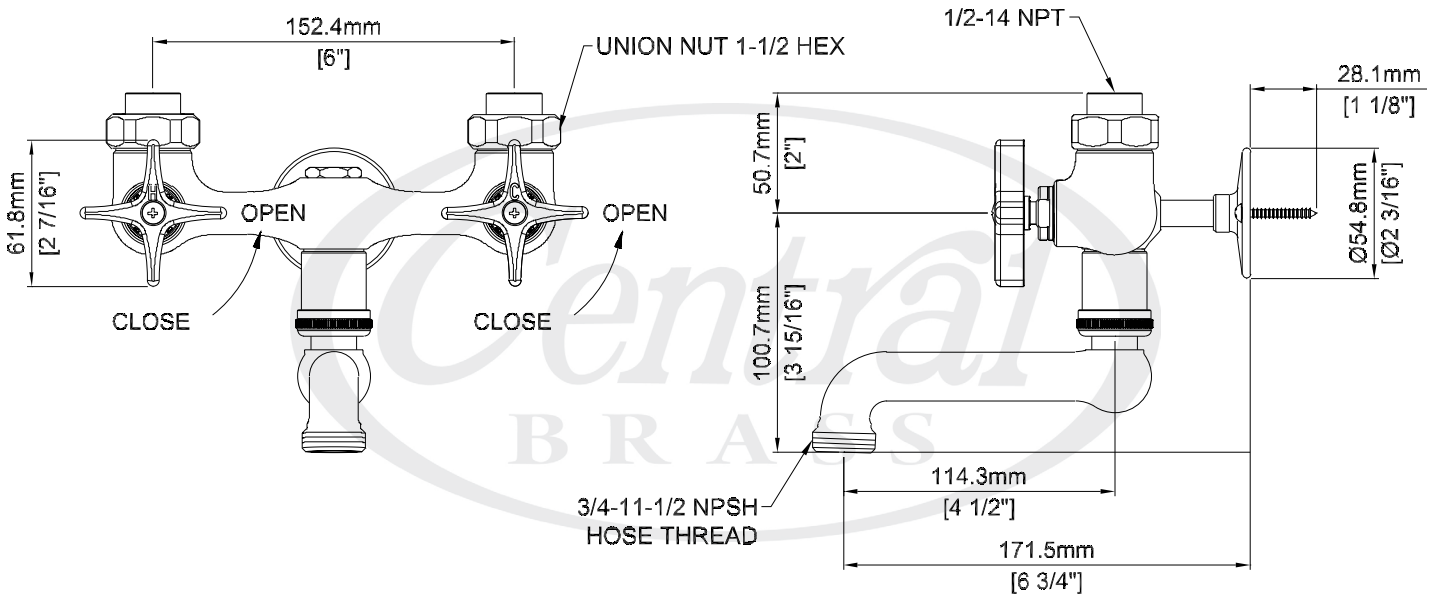
- Two Handle Laundry Faucet
- 4-Arm Handle
- 4-1/2" Swivel Spout, Hose Thread
- 1/2-14 NPSF (Dryseal) Female Inlets
- Replaceable Seats
- 6" Centers

0471-RC SHOWN

Model #	Features	Finish	
0471-RC		PVD PC	

Central Brass products are engineered and manufactured to meet the following standards and codes:

ASME A112.18.1
 ANSI A117.1



Brecksville, OH
 www.centralbrass.com
 Central Brass Company © 2011