

Central Brass

C O M P A N Y

Brecksville, Ohio 44141

Phone: (216) 883-0220 Fax: (440) 526-5745

www.CentralBrass.com

0805 0808 0826
80808 80826
TWO-VALVE
BATH/SHOWER FITTING

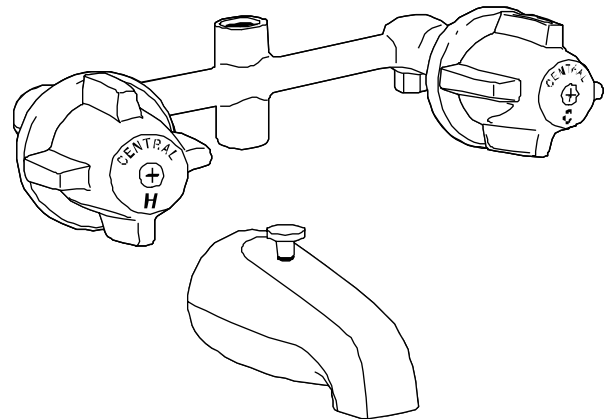
The two-valve shower fitting is made with a cast brass body with replaceable seats (for compression stems only) designed for direct sweat connections. The stem units are all brass with a reinforced rubber packing and rubber seat washer (for compression stems) or ceramic sealing discs (for ceramic units). The stem units can be easily replaced from the front of the fitting without removing the valve body. The handles and escutcheons are zinc die cast with a chrome plated finish. The shower arm is brass with a chrome plated finish, the escutcheon is stainless steel and the shower head is chrome plated plastic. The spout is brass or Zamak (Z - suffix) with a chrome plated finish.



ASME A112.18.1M

Shower Flow Rate 2.5 gpm @ 80 psi

MODEL NOS.
0805 0808 0826
80808 80826
TWO-VALVE
BATH/SHOWER FITTING



8" Centers, Direct Sweat, Compression Stems, Replaceable Seats

0805 Series	Bath Valve only
0808 Series	Bath Filler Valve with 1/2- inch IPS Spout
0826 Series	Shower Valve with Shower Head, Arm & Flange

8" Centers, Direct Sweat, Ceramic Stem Assemblies

80808 Series	Bath Valve with 1/2 IPS Spout
80826 Series	Shower Valve with Shower Head, Arm & Flange

Central Brass

COMPANY

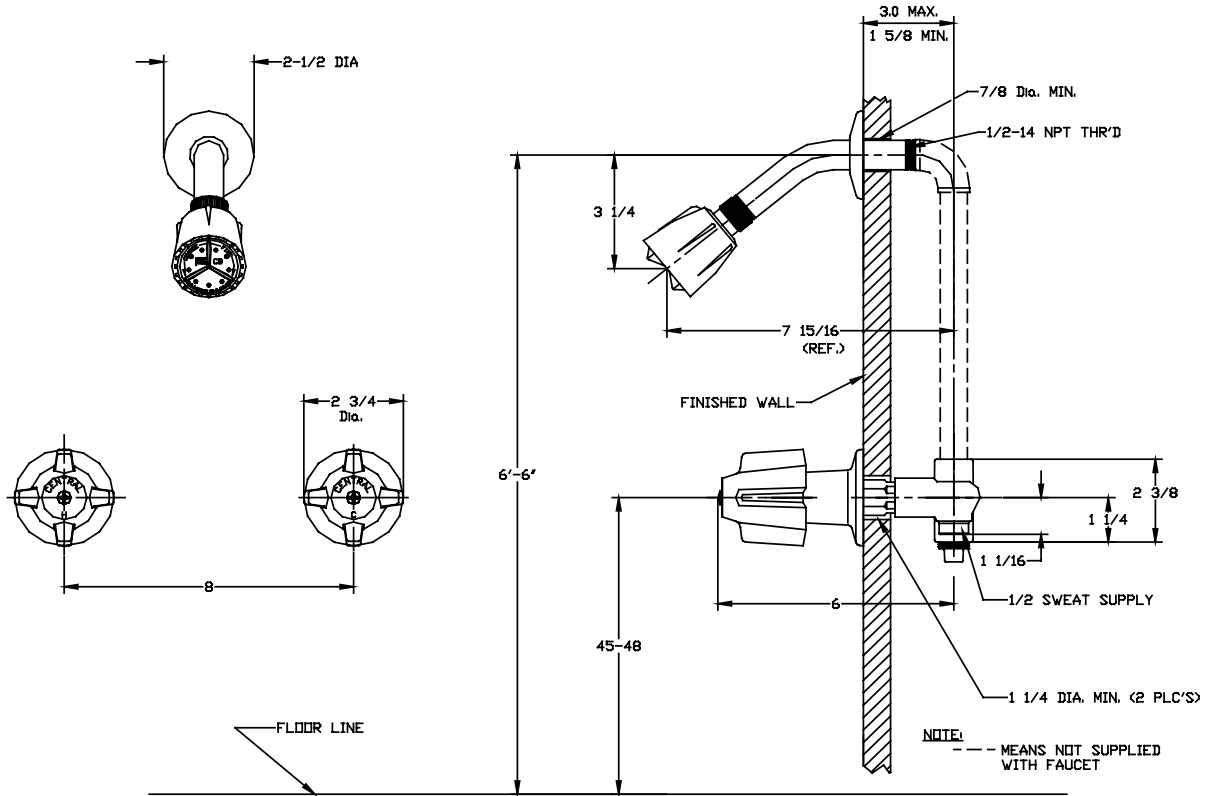
Brecksville, Ohio 44141

Phone: (216) 883-0220 Fax: (440) 526-5745

www.CentralBrass.com

0805 0808 0826
80808 80826
TWO-VALVE
BATH/SHOWER FITTING

Installation Drawings



Accessories available

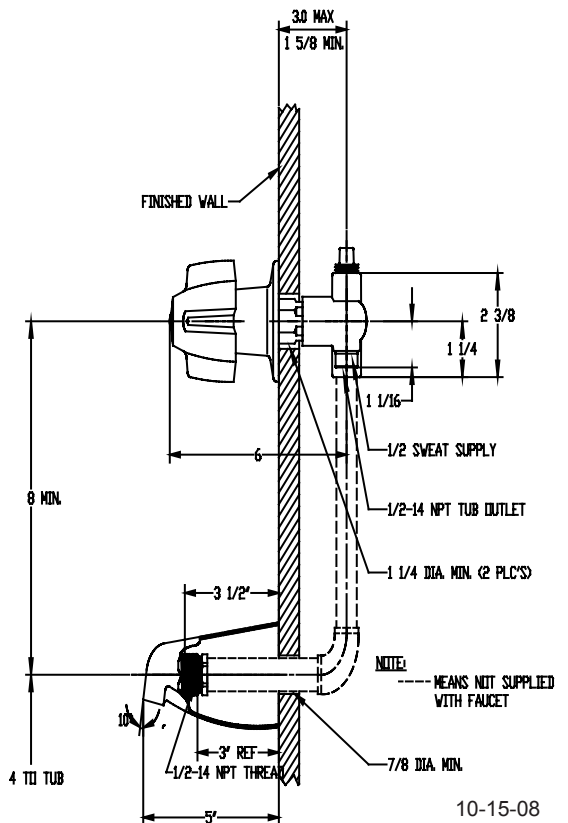
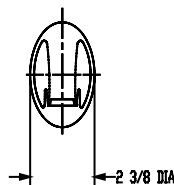
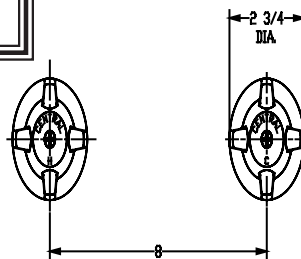
Brass Stem Extension



G-1548-ET

(Available Separately)

Used for thicker wall dimensions



Central Brass

C O M P A N Y

Brecksville, Ohio 44141

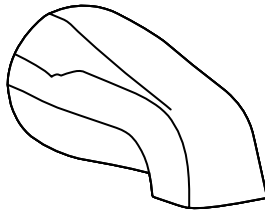
Phone: (216) 883-0220 Fax: (440) 526-5745

www.CentralBrass.com

0805 0808 0826
80808 80826
TWO-VALVE
BATH/SHOWER FITTING

Spout variations available

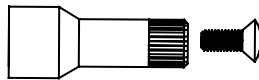
Z - Suffix
Zamak Spout



3154-Z

Accessories available

Brass
Stem Extension



G-1548-ET
(Available Separately)
Used for thicker wall dimensions

Central Brass

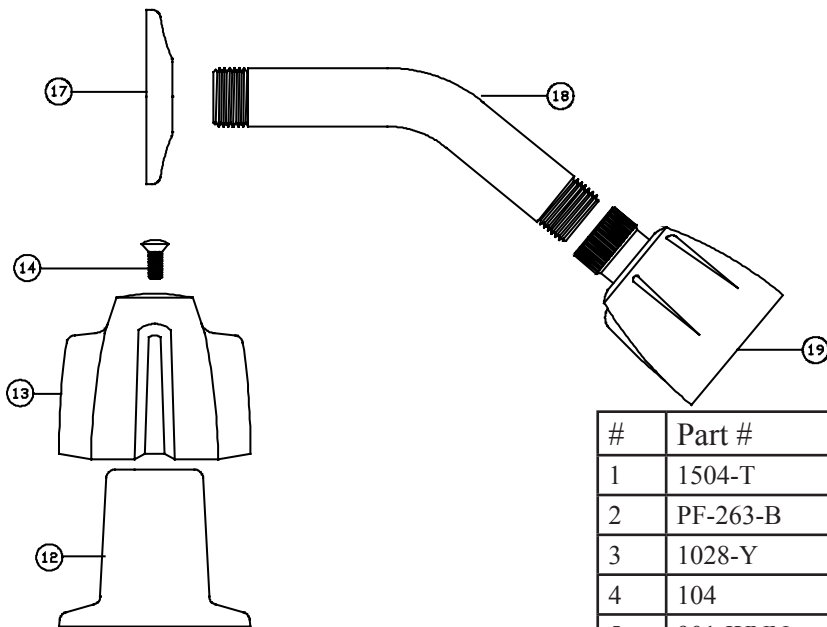
COMPANY

Brecksville, Ohio 44141

Phone: (216) 883-0220 Fax: (440) 526-5745

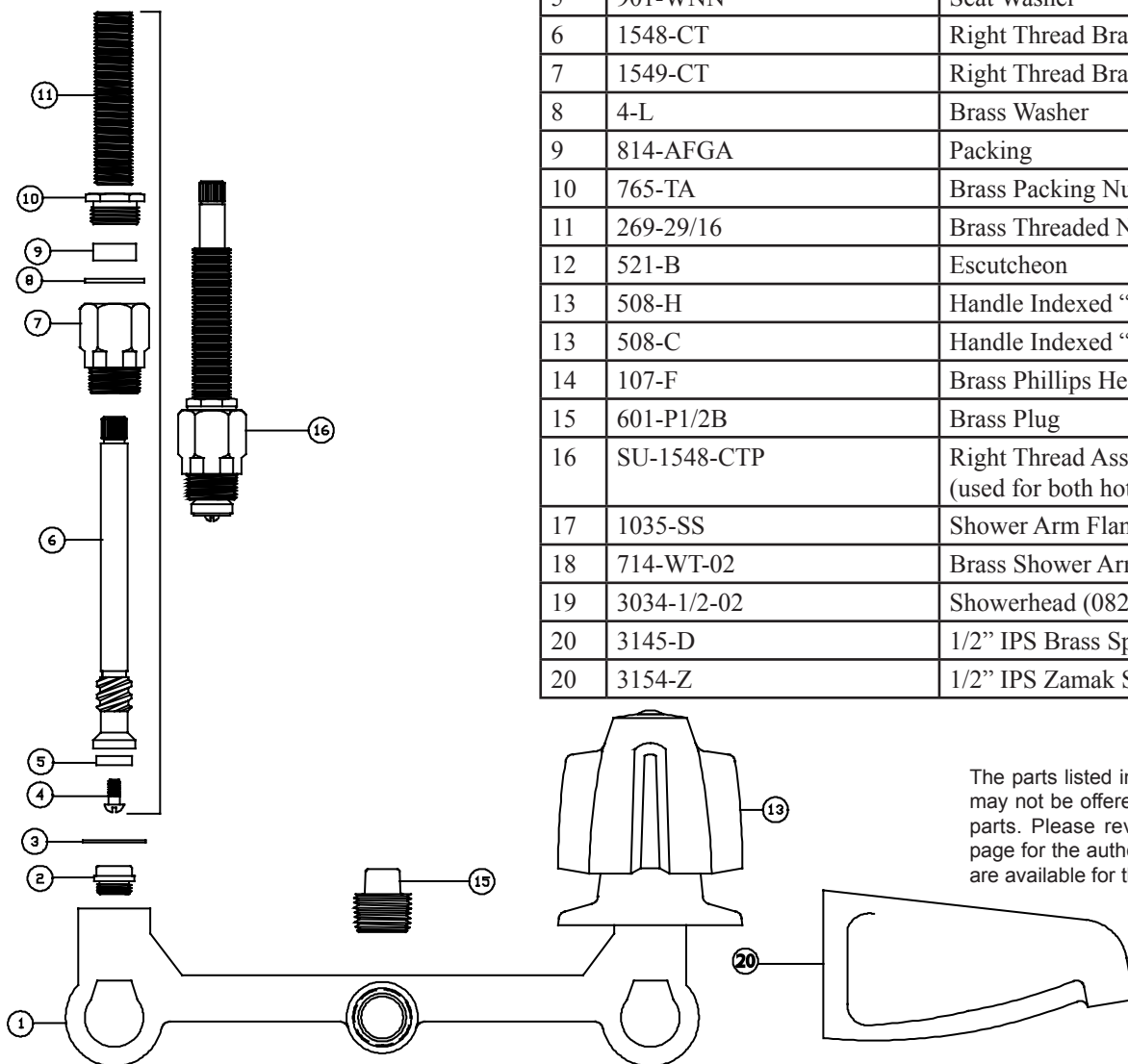
www.CentralBrass.com

0805 0808 0826
80808 80826
TWO-VALVE
BATH/SHOWER FITTING



Parts Breakdown

#	Part #	Description
1	1504-T	Brass 2-Valve Body
2	PF-263-B	Brass Seat
3	1028-Y	Nylon Gasket
4	104	Brass Seat Washer Screw
5	901-WNN	Seat Washer
6	1548-CT	Right Thread Brass Stem
7	1549-CT	Right Thread Brass Bonnet
8	4-L	Brass Washer
9	814-AFGA	Packing
10	765-TA	Brass Packing Nut
11	269-29/16	Brass Threaded Nipple
12	521-B	Escutcheon
13	508-H	Handle Indexed "H"
13	508-C	Handle Indexed "C"
14	107-F	Brass Phillips Head Screw
15	601-P1/2B	Brass Plug
16	SU-1548-CTP	Right Thread Assembly (used for both hot & cold sides)
17	1035-SS	Shower Arm Flange (0826 only)
18	714-WT-02	Brass Shower Arm (0826 only)
19	3034-1/2-02	Showerhead (0826 only)
20	3145-D	1/2" IPS Brass Spout (0808 only)
20	3154-Z	1/2" IPS Zamak Spout (0808-Z only)



The parts listed in the parts breakdown above may not be offered separately as replacement parts. Please review the Replacement Parts page for the authorized replacement parts that are available for this item.

Central Brass

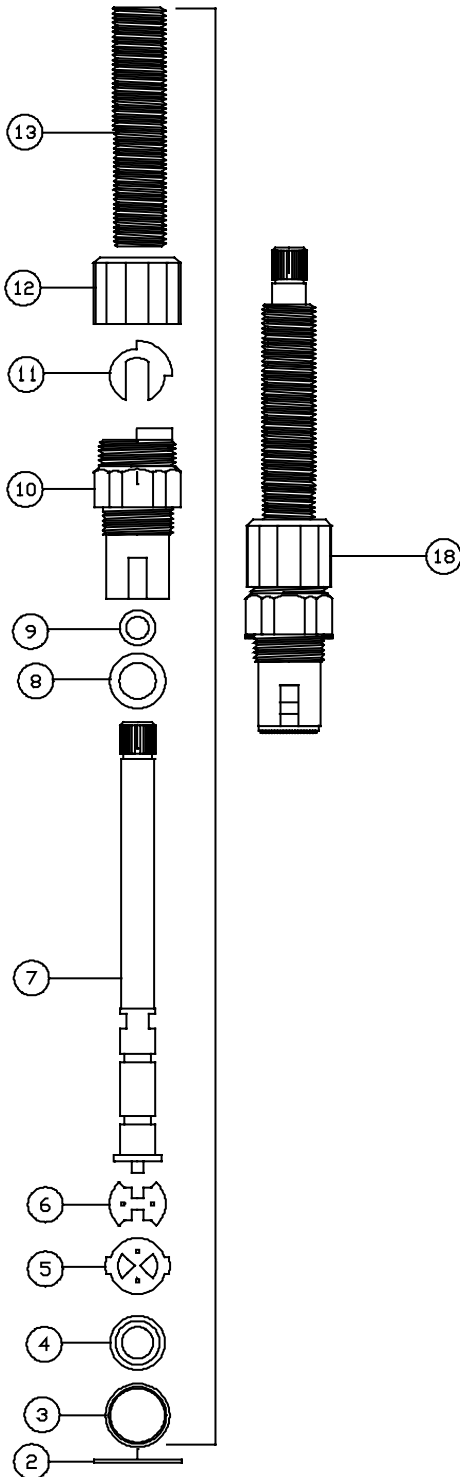
COMPANY

Brecksville, Ohio 44141

Phone: (216) 883-0220 Fax: (440) 526-5745

www.CentralBrass.com

0805 0808 0826
80808 80826
TWO-VALVE
BATH/SHOWER FITTING



80808 80826
Ceramic Stem Parts
replaces compression stem
SU-1548-CTP

Parts Breakdown

#	Part #	Description
2	1028-Y	Nylon Gasket
3	184-A	Celcon Retainer
4	183-A	Rubber Seal
5	182	Ceramic Disc - Lower
6	181	Ceramic Disc - Upper
7	351-S	Brass Stem
8	180	Celcon Washer
9	1038-E14	O-Ring
10	351-B	Brass Bonnet
11	351-W	Brass Stop Washer
12	351-C	Brass Cap
13	269-29-/16	Brass Threaded Nipple
18	SU-351-L	Left Thread Ceramic Disc Cartridge

The parts listed in the parts breakdown above may not be offered separately as replacement parts. Please review the Replacement Parts page for the authorized replacement parts that are available for this item.