

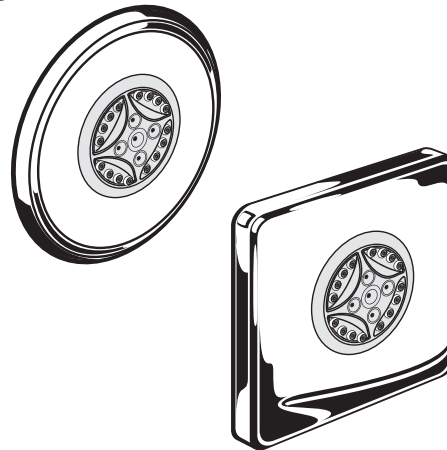
INSTALLATION INSTRUCTIONS



Multi Functional Body Spray

**Transitional
Model D3570040C**

**Square
Model D3570041C**



Thank you for selecting DXV. To ensure that your installation proceeds smoothly, please read these instructions carefully before you begin.

RECOMMENDED TOOLS AND MATERIALS

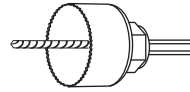
Most of the procedures require the use of common tools and materials, which are available from hardware and plumbing, supply stores. It is essential that the tools and materials be on hand before work is begun.



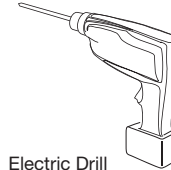
Pipe Wrench



Teflon Tape



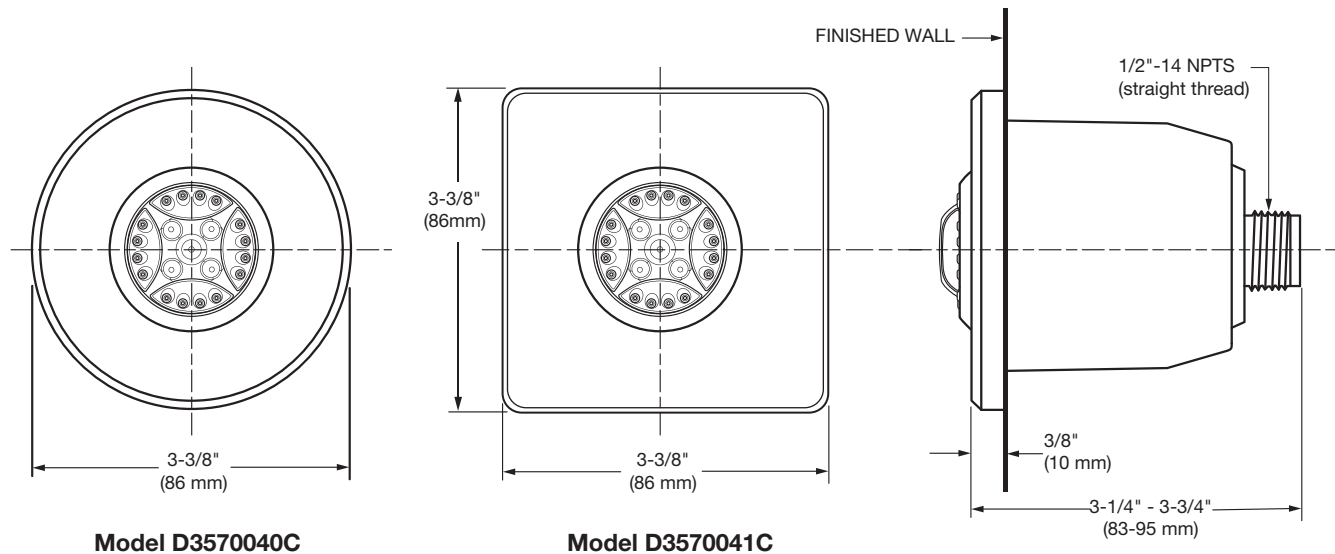
2-3/4" DIA.
(70mm) Hole Saw



Electric Drill

ROUGHING-IN DIMENSIONS:

- For reference



Model D3570040C

Model D3570041C

In the United States:

DXV
One Centennial Avenue
Piscataway, New Jersey 08855
Attention: Director of Customer Care

For residents of the United States, warranty information may also be obtained by calling the following toll free number: (800) 227-2734
www.DXV.com

In Canada:

DXV
5900 Avebury Road
Mississauga, Ontario
L5R 3M3
Canada

Toll Free: 1-800-387-0369
Local: 905-306-1093
Fax: 1-800-395-1498
www.DXV.ca

In Mexico:

DXV
Via Morelos 330
Col. Santa Clara Coatitla
Ecatepec, Estado de México 55540

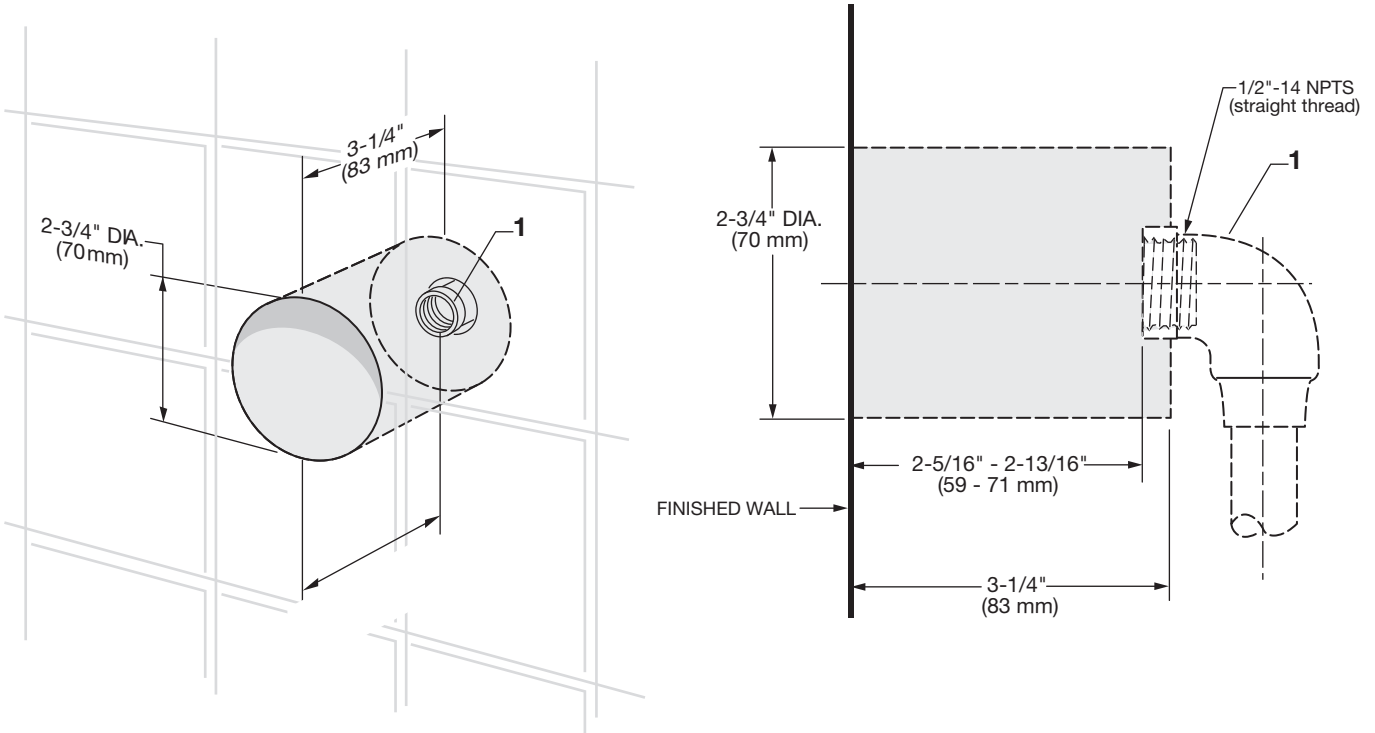
Toll Free: 01-800-8391200
www.DXV.mx

SAVE FOR FUTURE USE

1 INSTALL SUPPLY PIPING

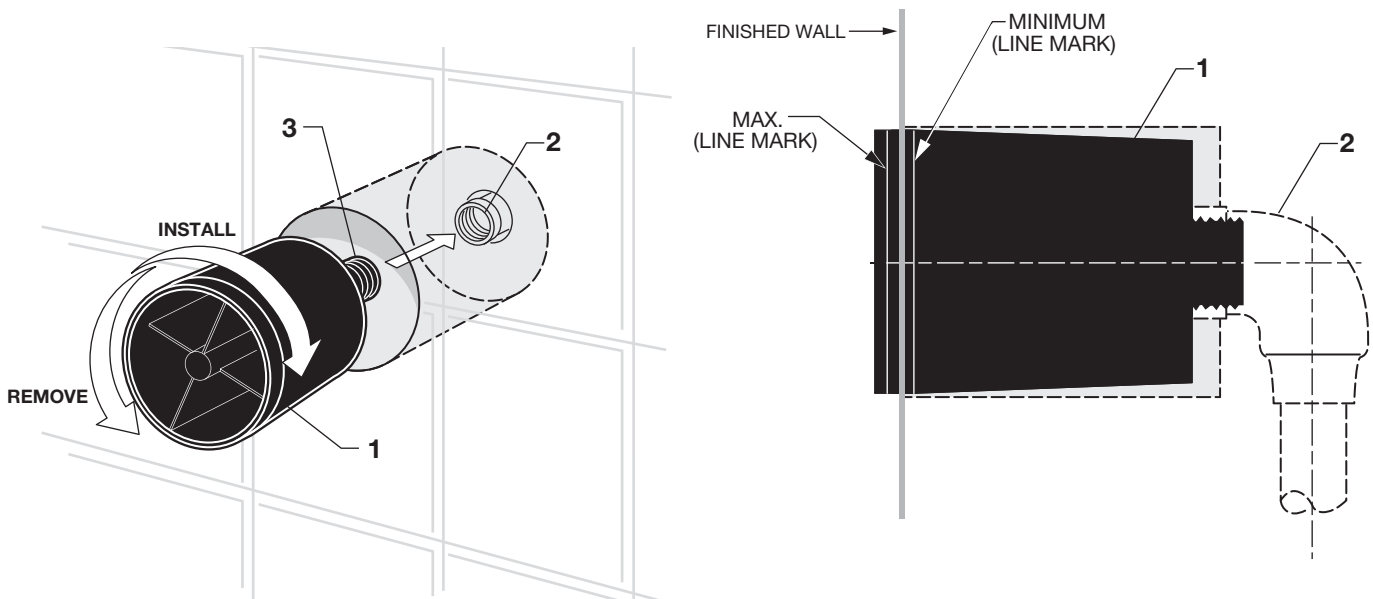
CAUTION Turn off hot and cold water supplies before beginning.

- Provide a installation hole 2-3/4" DIA., (70 mm) and 3-1/4", (83 mm) deep.
- Install a 1/2"-14 NPTS INLET PIPE (1) 2-5/16" - 2-13/16" (59-71 mm) from face of finished wall.



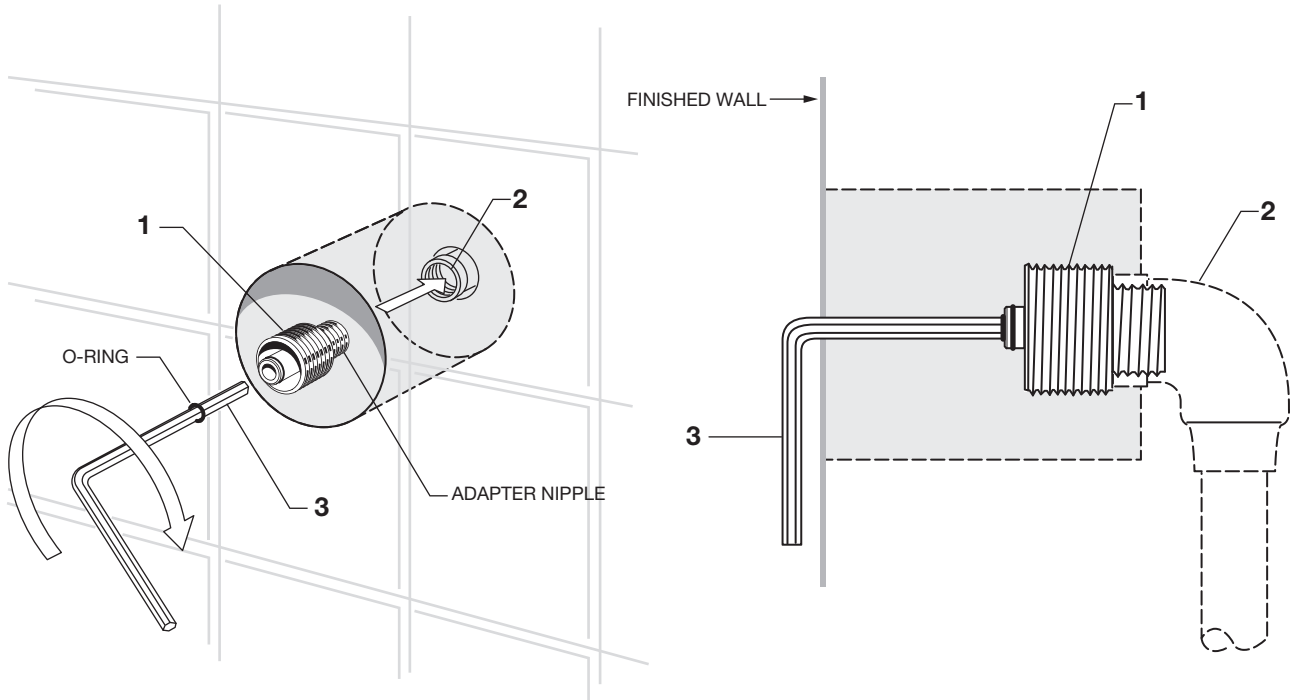
2 INSTALL PLASTER GUARD

- Apply Teflon sealing tape to PLASTER GUARD NIPPLE (3).
- Thread the PLASTER GUARD (1) into INLET PIPE (2).
- Note:** The Finished wall must be between the Min. and Max. lines on the PLASTER GUARD (1).
- Complete all tiling and wall work.
- When walls are finished remove PLASTER GUARD (1).



3 INSTALL BRASS ADAPTER

- Apply Teflon sealing tape to BRASS ADAPTER NIPPLE. Install the BRASS ADAPTER (1) into the INLET PIPING (2).
- Use O-RING end of HEX WRENCH (3) supplied to tighten BRASS ADAPTER (1) flush against INLET PIPING (2).



4 INSTALL BODY SPRAY

- Thread BODY SPRAY (1) onto the BRASS ADAPTER (2) until FLANGE (3) is flush against finished wall and FLANGE GASKET (4) is compressed.
- Turn on water supply and test installed BODY SPRAY (1) for leaks and proper operation.

