

**PRODUCT SPECIFICATIONS**

Elkay Lustertone™ Stainless Steel 15" x 17-1/2" x 6-1/2", Single Bowl Top Mount ADA Sink with Perfect Drain. Sink is manufactured from 18 gauge 304 Stainless Steel with a Lustertone finish, Center drain placement, and Bottom only pads.

<b>Installation Type:</b>	Top Mount
<b>Material:</b>	304 Stainless Steel
<b>Special Features:</b>	Perfect Drain, Quick-Clip Mounting System
<b>Finish:</b>	Lustertone
<b>Gauge:</b>	18
<b>Sound Deadening:</b>	Bottom only pads
<b>Number of Bowls:</b>	1
<b>Sink Dimensions:</b>	15" x 17-1/2" x 6-1/2"
<b>Bowl 1 Dimensions:</b>	12" x 12" x 6-3/8"
<b>Drain Size:</b>	3-3/8" (86mm)
<b>Drain Location:</b>	Center
<b>Minimum Cabinet Size:</b>	18"
<b>Mounting Hardware:</b>	Included for 3/4" (19mm) countertop
<b>Cutout Template #:</b>	<a href="#">1000001273</a>

Template is available for download at [elkay.com](http://elkay.com)

**Cutout Dimensions for Top Mount Installation:**

14-3/8" x 16-7/8" (365mm x 429mm) with 1-1/2" (38mm) corner radius

**Perfect Drain:** Seamlessly welded stainless steel collar eliminates the gap between a traditional drain and the sink for a sanitary and gap free installation. An InSinkErator® garbage disposer can be installed on either sink bowl for user convenience.

U.S. Patent Nos 9,057,185 and 9,783,968.



**Included with Product:** One LKPD1 Perfect Drain and strainer.

AMERICAN PRIDE. A LIFETIME TRADITION. Like your family, the Elkay family has values and traditions that endure. For almost a century, Elkay has been a family-owned and operated company, providing thousands of jobs that support our families and communities.



**Product Compliance:** ADA & ICC A117.1  
ASME A112.19.3/CSA B45.4  
BUY AMERICAN ACT  
Accessory: ASME A112.18.2/CSA B125.2



Sinks are listed by IAPMO® as meeting the applicable requirements of the Uniform Plumbing Code®, International Plumbing Code®, and National Plumbing Code of Canada.



Complies with ADA & ICC A117.1 accessibility requirements when installed according to the requirements outlined in these standards.

- [Clean and Care Manual \(PDF\)](#)
- [Installation Instructions \(PDF\) - 74180271](#)
- [Installation Instructions \(PDF\) - 74180289 Disposer](#)
- [Installation Instructions \(PDF\) - 74180340-USA Drain](#)
- [Limited Lifetime Warranty \(PDF\)](#)

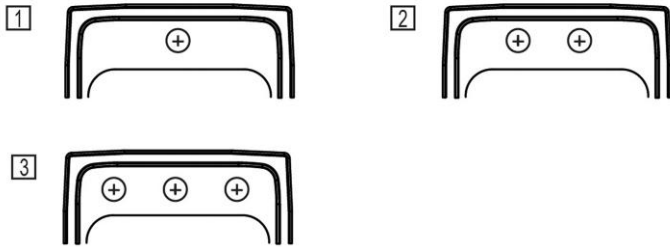
**Similar models are available with:** U Channel mounting system

PART: \_\_\_\_\_ QTY: \_\_\_\_\_  
 PROJECT: \_\_\_\_\_  
 CONTACT: \_\_\_\_\_  
 DATE: \_\_\_\_\_  
 NOTES: \_\_\_\_\_  
 APPROVAL: \_\_\_\_\_

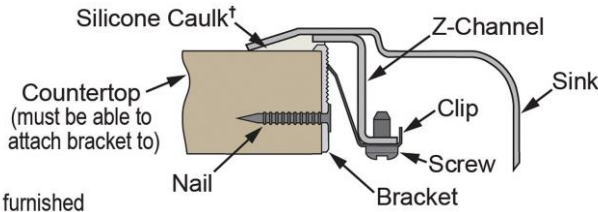
*In keeping with our policy of continuing product improvement, Elkay reserves the right to change product specifications without notice. Please visit [elkay.com](http://elkay.com) for the most current version of Elkay product specification sheets. This specification describes an Elkay product with design, quality, and functional benefits to the user. When making a comparison of other producers' offerings, be certain these features are not overlooked.*

**Hole Drilling Configurations:**

1-1/2" (38mm) Diameter Faucet Holes on 4" (102mm) Centers



**Installation Profile:**



†Not furnished

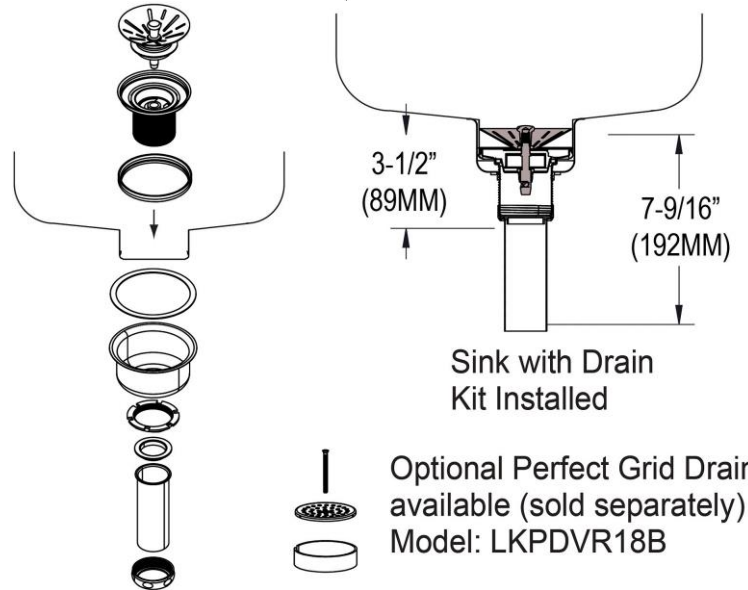
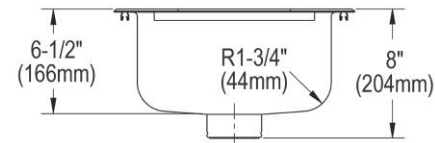
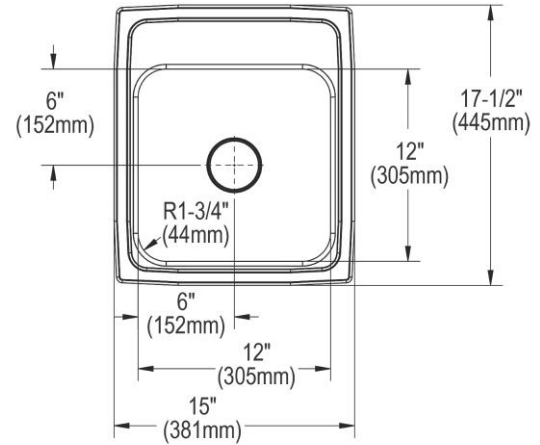
**OPTIONAL ACCESSORIES**

<b>Cutting Board:</b>	CB912
<b>Drain:</b>	LKPDVR18B, LKPDAD18B, LKDS99
<b>Faucet:</b>	LKGT1042, LKGT2042
<b>Rinsing Basket:</b>	LKWRB1209SS
<b>Sinkmate:</b>	LKSMHSL
<b>Soap Dispenser:</b>	LKGT1054

**in sink erator<sup>®</sup>**

Elkay<sup>®</sup> Perfect Drain<sup>™</sup> sinks are designed and approved for compatible disposers manufactured by InSinkErator<sup>®</sup> utilizing the Quick Lock<sup>®</sup> mounting configuration. Use of non-approved disposers may void Elkay warranty.

InSinkErator, Quick Lock and the mounting collar configuration are trademarks of Emerson Electric Co.



Sink with Drain Kit Installed

Optional Perfect Grid Drain available (sold separately)  
Model: LKPDVR18B

*In keeping with our policy of continuing product improvement, Elkay reserves the right to change product specifications without notice. Please visit [elkay.com](http://elkay.com) for the most current version of Elkay product specification sheets. This specification describes an Elkay product with design, quality, and functional benefits to the user. When making a comparison of other producers' offerings, be certain these features are not overlooked.*