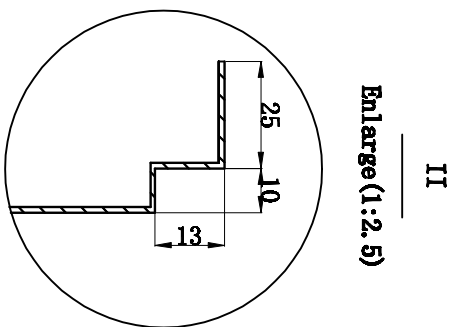
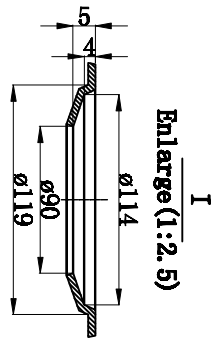
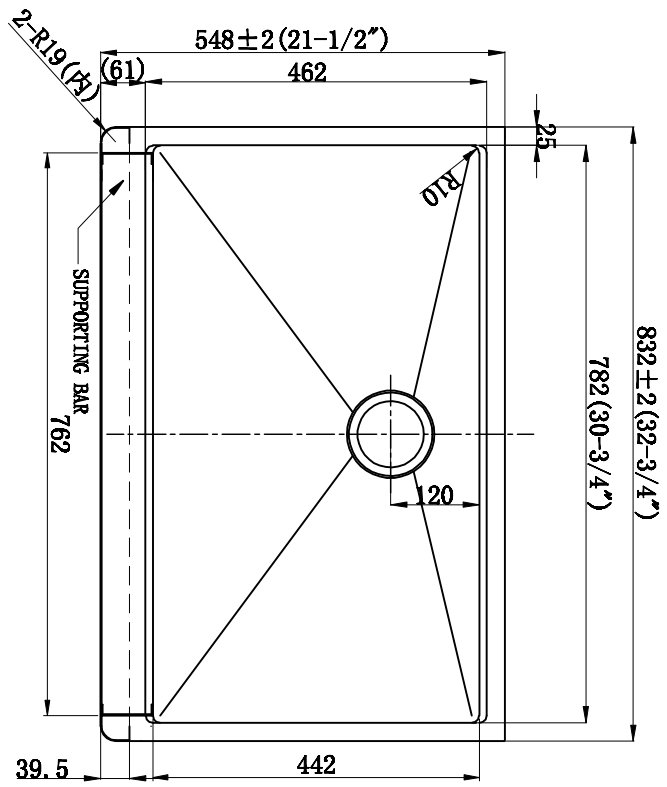
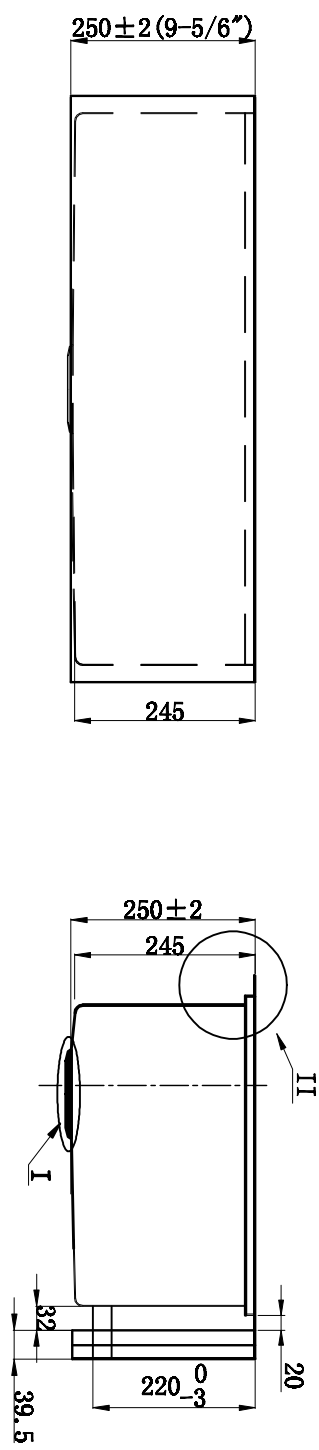

 satin finish



A33S
material&thickness SUS304 16GA
EMPIRE INDUSTRIES, INC.