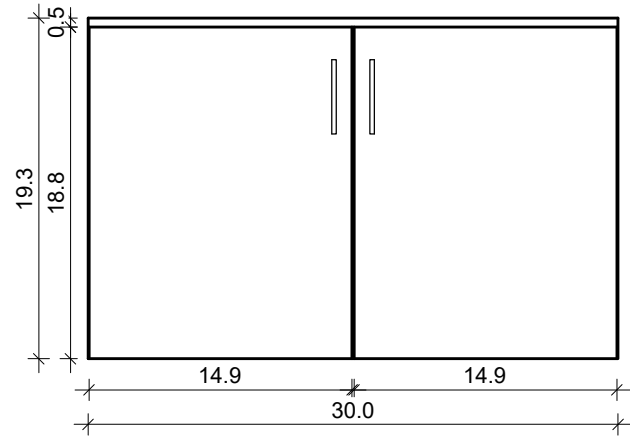


# DAYTONA 2 STONE 30-20

---

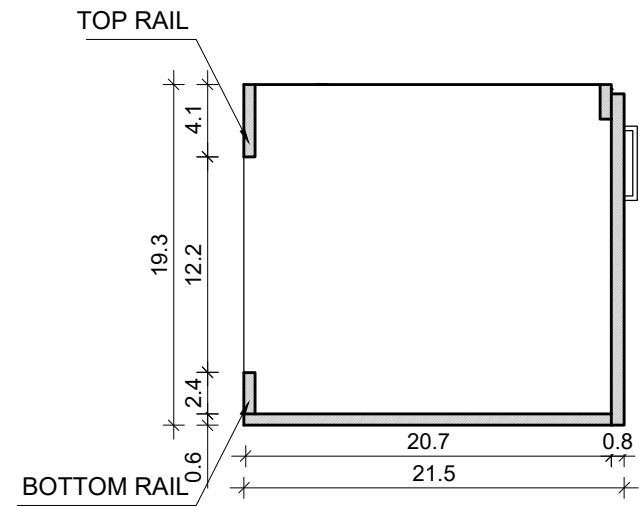
---



FRONT VIEW

---

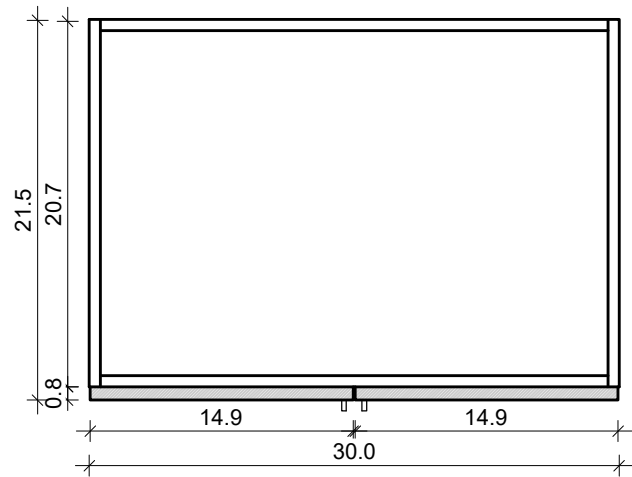
---



SIDE VIEW

---

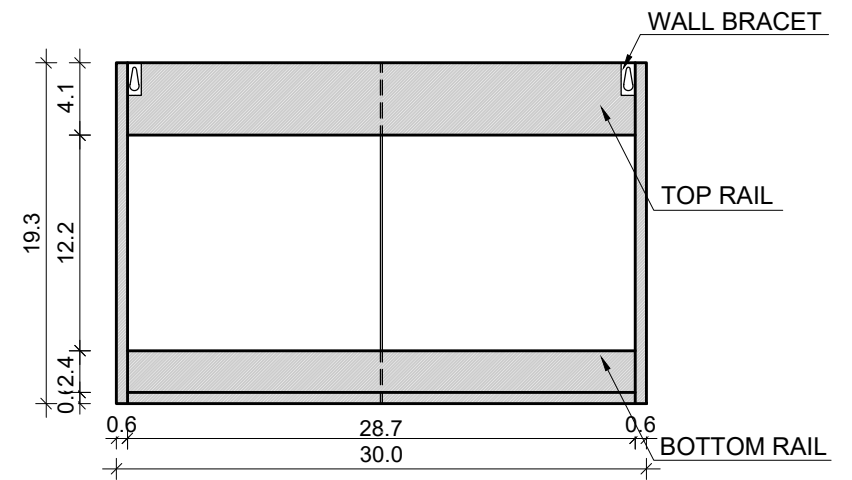
---



TOP VIEW

---

---



BACK VIEW

---

---