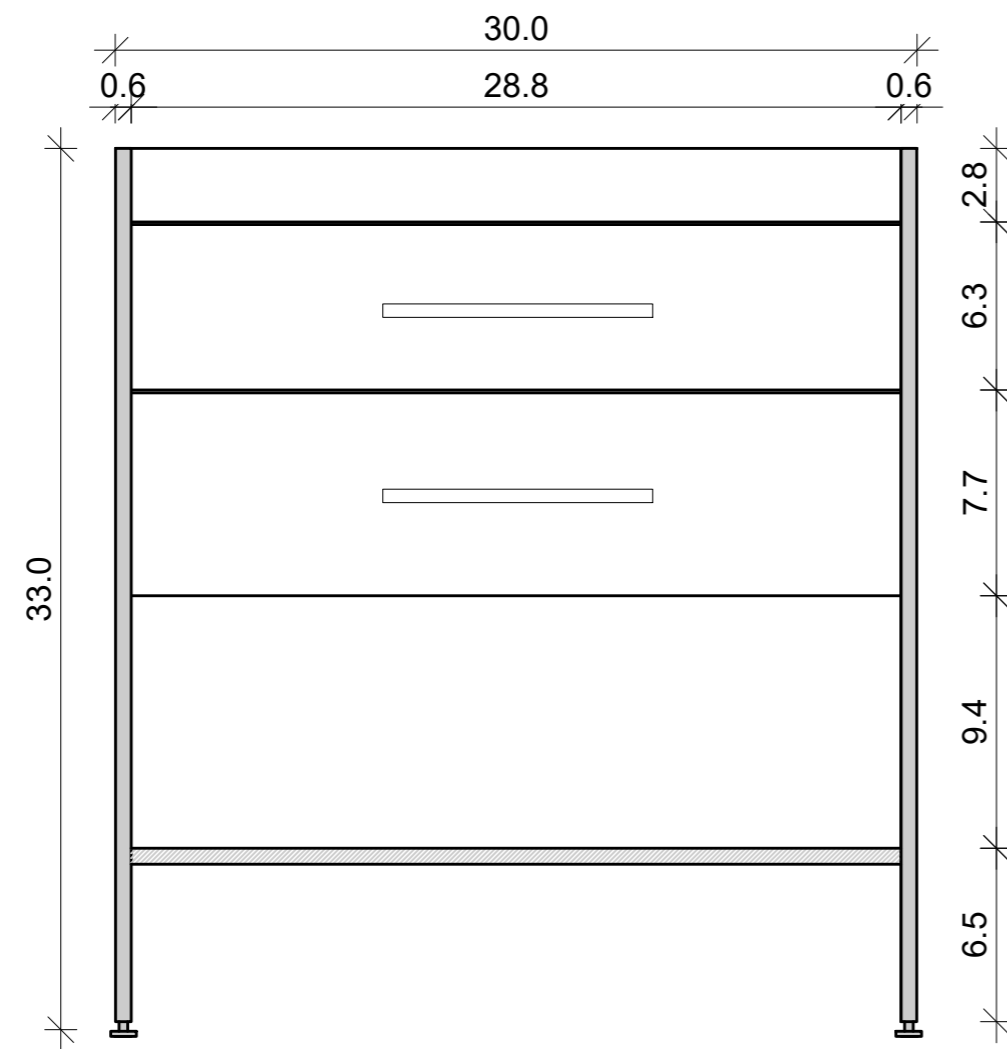
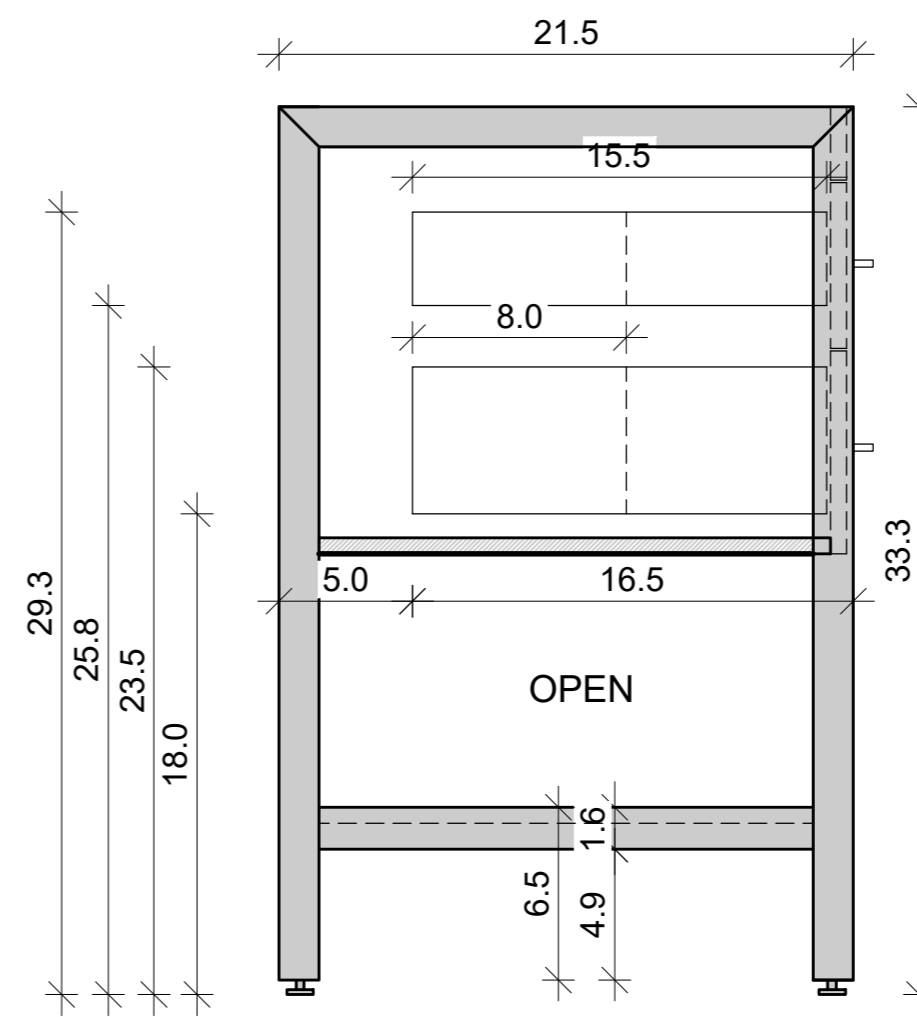


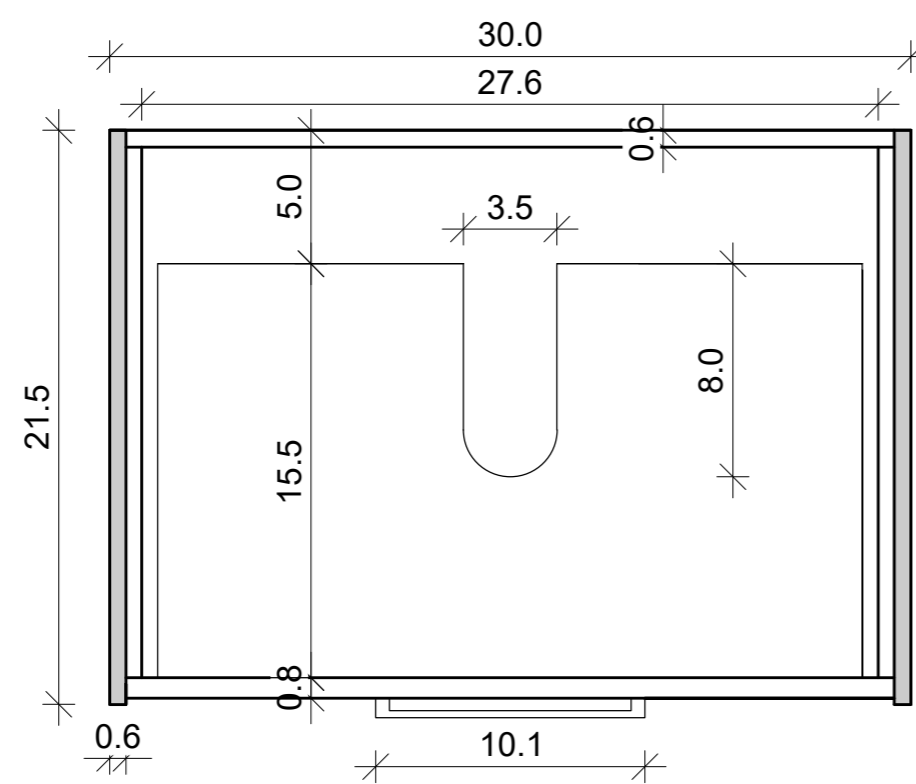
Jupiter 30-02



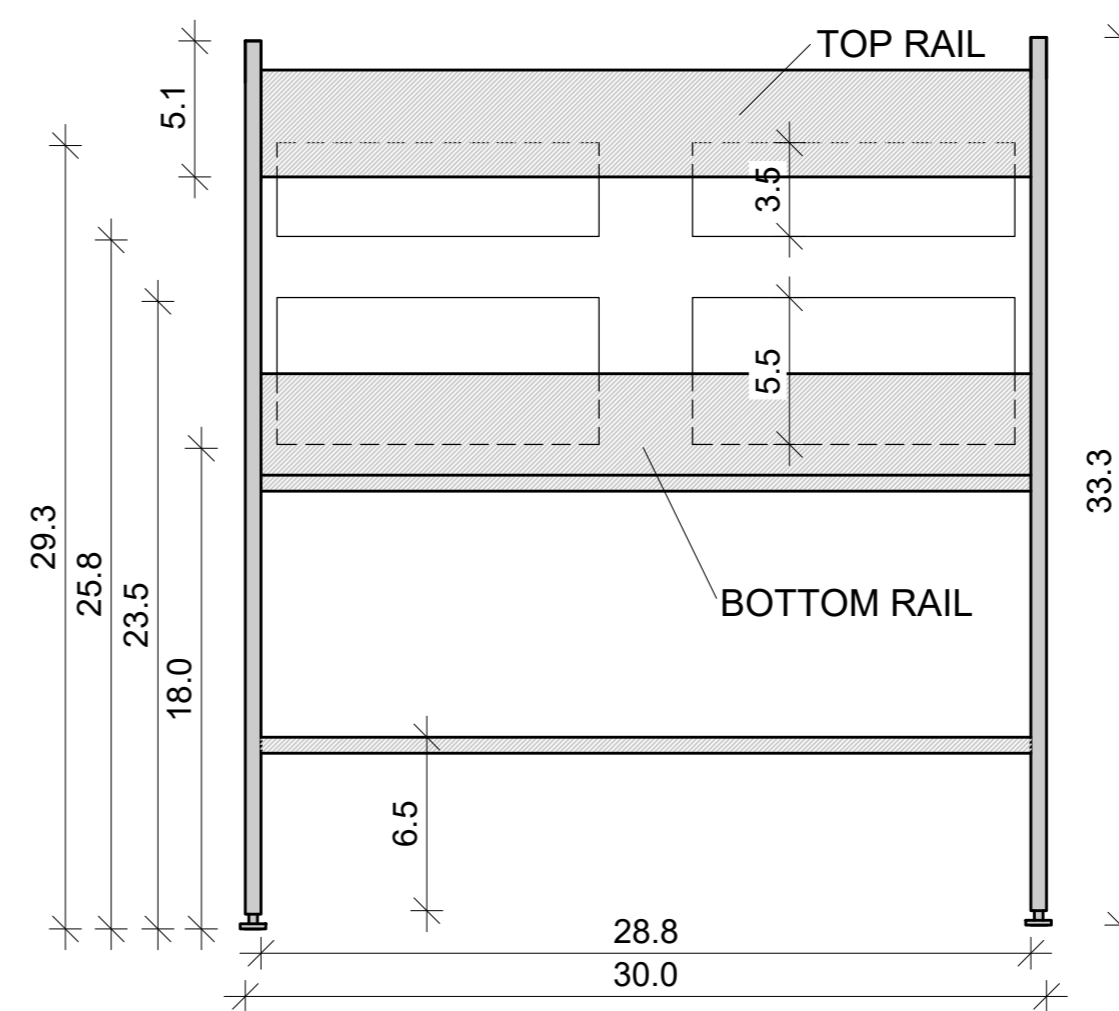
Front View



Side View



Top View



Back View