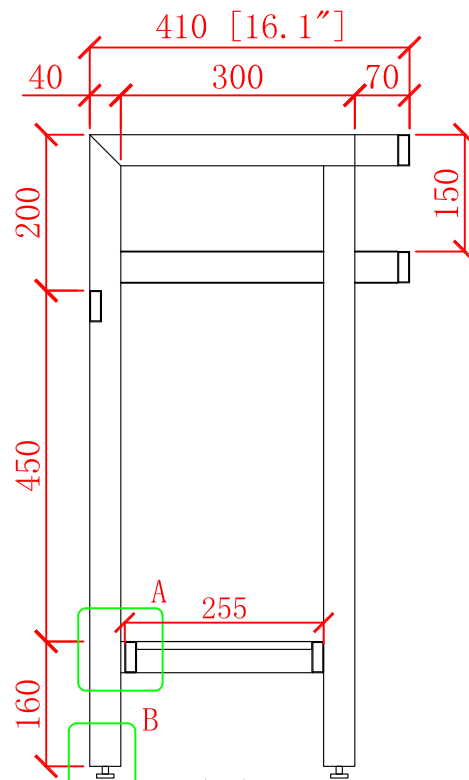
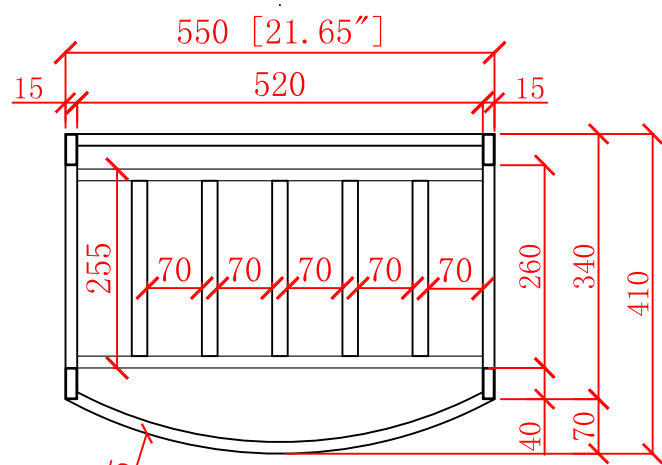


front view



$\frac{A-A}{1:1}$



plan view

