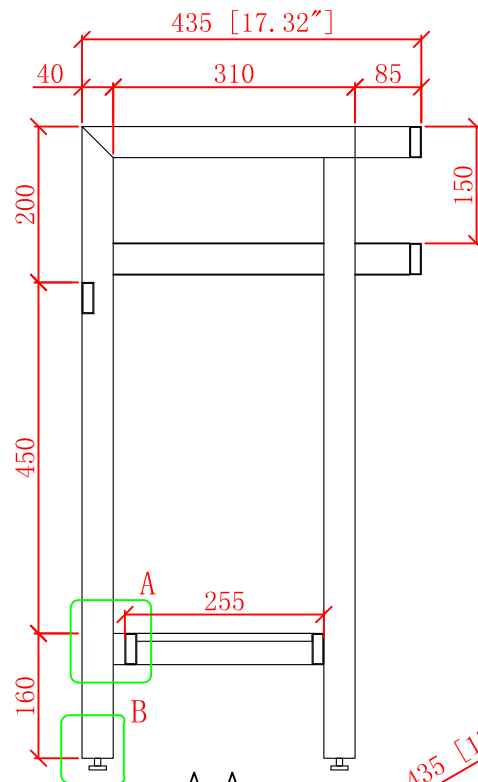
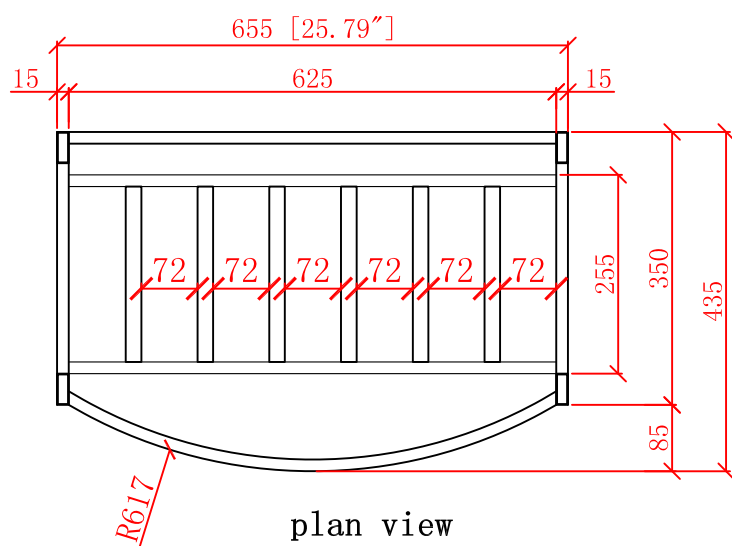


front view



A-A  
1:1



plan view

