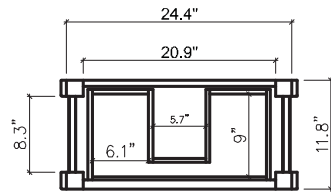
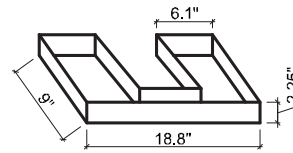


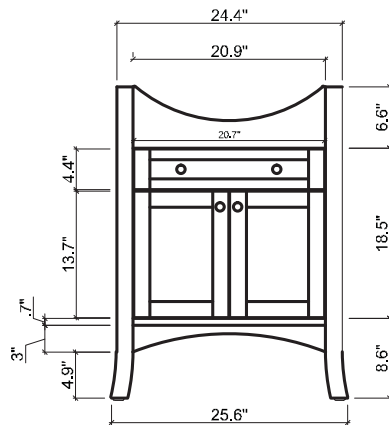
PE 26



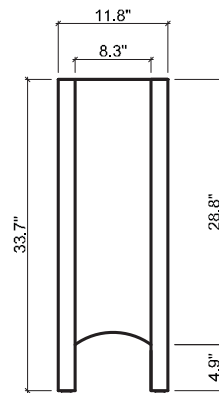
TOP VIEW



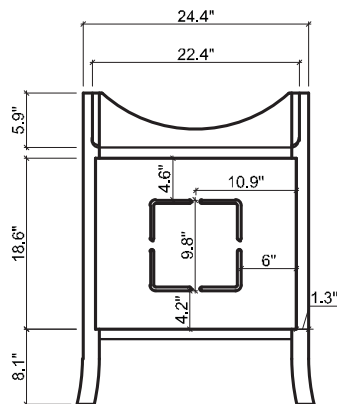
INSIDE DRAWER DIMENSIONS



FRONT VIEW



SIDE VIEW



BACK VIEW

PE 26