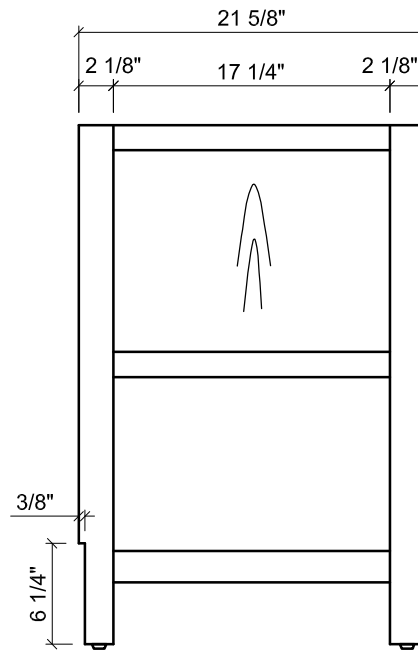
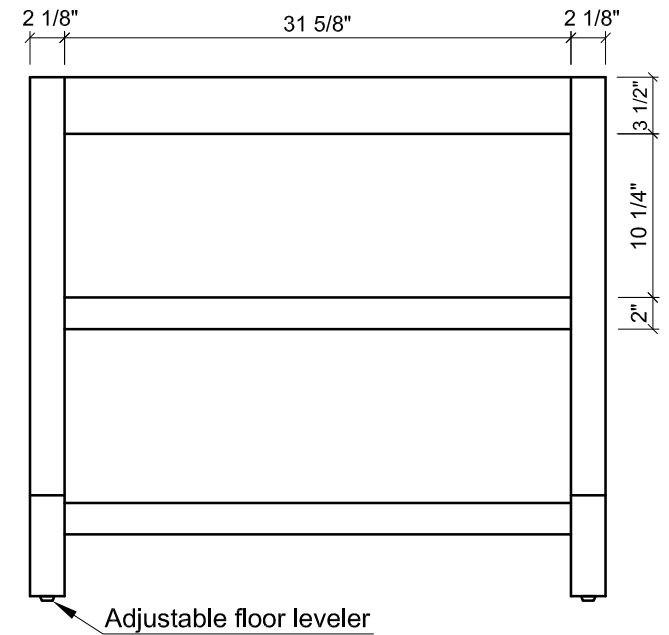


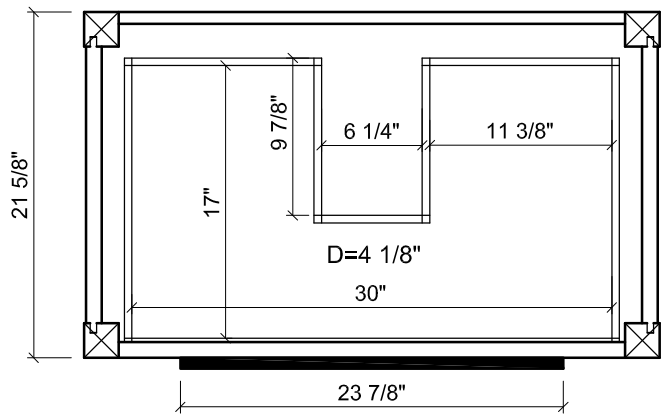
FRONT VIEW



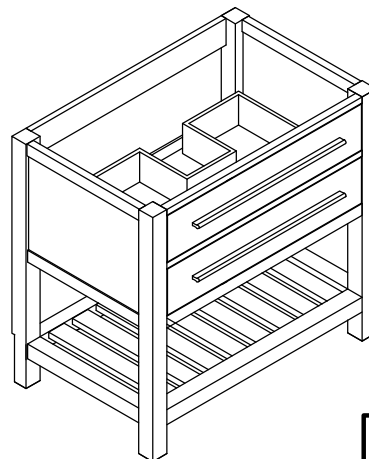
SIDE VIEW



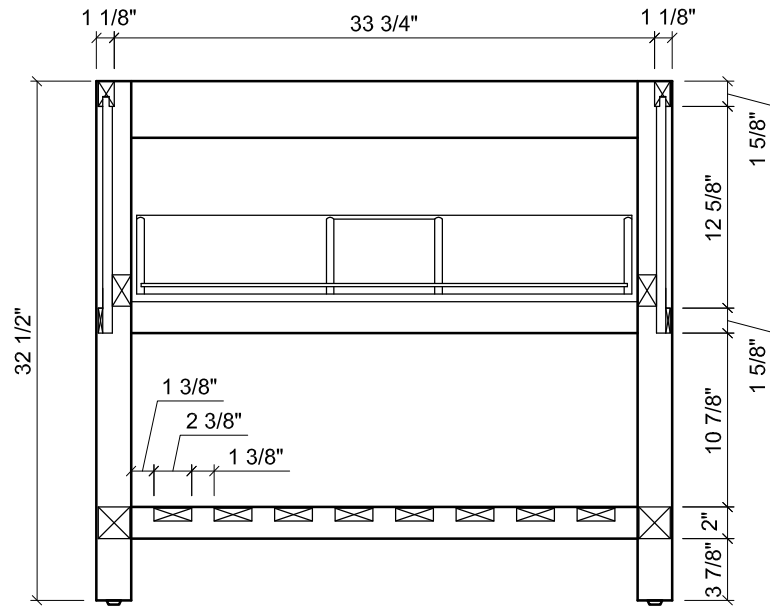
BACK VIEW



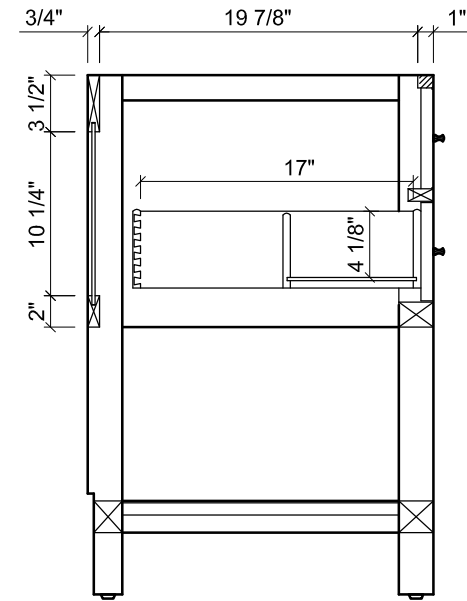
TOP VIEW



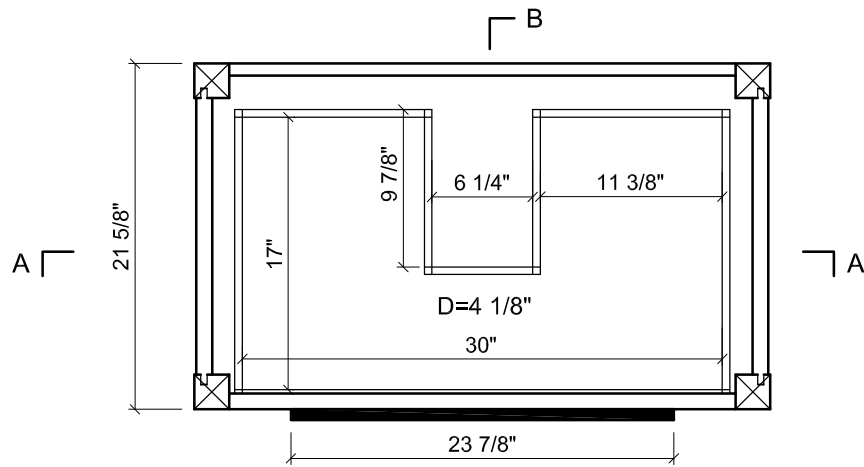
|                          |                  |
|--------------------------|------------------|
| Empire Industries        | Project: PRIVA   |
| Item: PRIVA 36" (1 of 2) | Date: 2010-09-15 |



SECTION A-A



SECTION B-B



TOP VIEW

|                          |                  |
|--------------------------|------------------|
| Empire Industries        | Project: PRIVA   |
| Item: PRIVA 36" (2 of 2) | Date: 2010-09-15 |