

SHOWER DOORS

Trays

HIGH QUALITY ACRYLIC WITH FIBERGLASS REINFORCEMENT

- 36" wide shower receptors
- Anti-slip textured floor for maximum safety
- Non-porous surface resists scratches and stains, and provides fast and effective cleaning
- Integral flange for easy installation and waterproofing

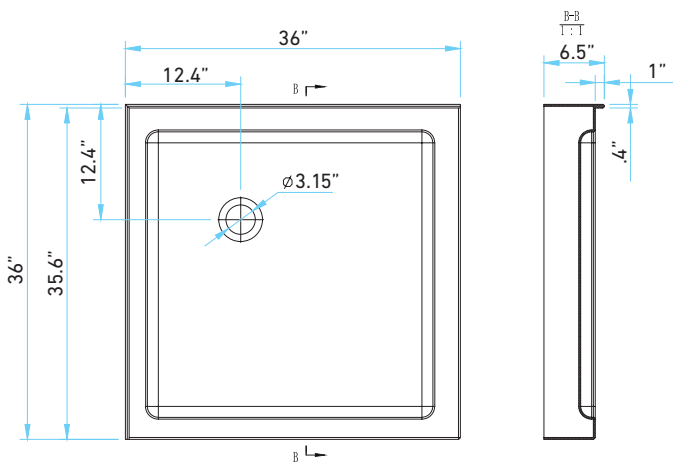


SHOWN WITH SP36-SQUARE SHOWER ENCLOSURE

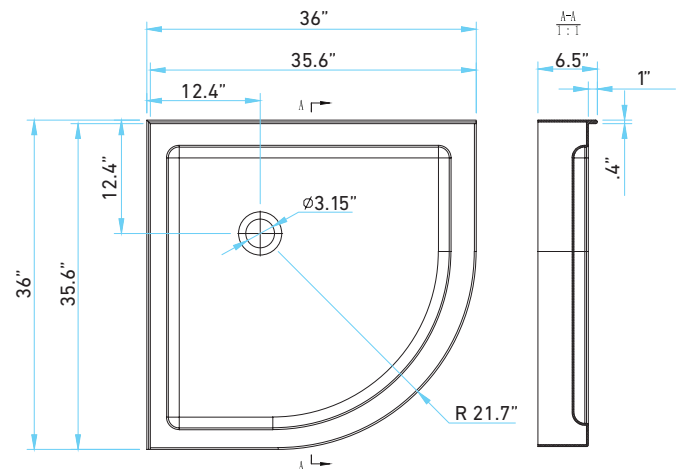


SHOWN WITH IM36-ROUND SHOWER ENCLOSURE

SPT36-Square Shower Tray
for Splash Shower Enclosure



IMT36-Round Shower Tray
for Immerse Shower Enclosure



EMPIRE
INDUSTRIES INC.

40 Warren Street, Paterson NJ, 07524 USA
TEL: (973) 279-2050 • (800) 631-0223
FAX: (973) 279-8987 • (800) 367-4738
EMPIRE-INDUSTRIES.COM