

## Designer Collection

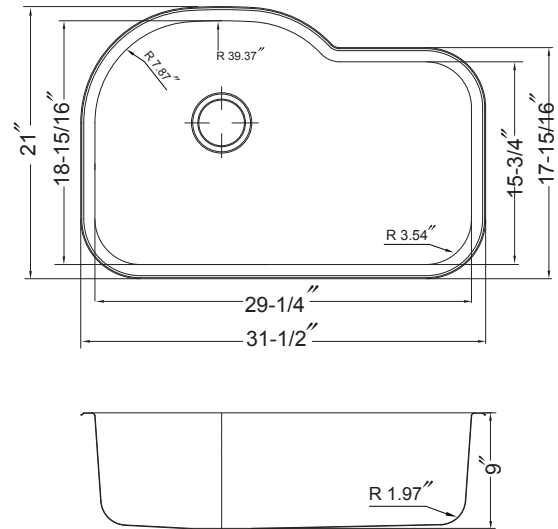
# Undermount Offset Single Bowl Model DES-3221S



DES-3221S

### FEATURES

- Premium grade T-304 stainless steel
- 9" depth • 18 gauge
- StoneShield undercoating over Sound Deadening pad
- Spexedge
- Lustrous satin with highlighted rim
- Fits 36" sink base • 3-1/2" drain opening
- Supplied with cutout template, fasteners and instructions
- cUPC® Listed
- Lifetime Limited Warranty



ASME A112.19.3-2008



### OPTIONAL ACCESSORIES

Bottom Grid: SWG-27170FS

Cutting Board : CUT-1417

Strainer: BAS-2000-SS

OVERALL DIMENSIONS	EACH BOWL	CUTOUT SIZE	PACKAGING*	WEIGHT*
31-1/2" x 21"	29-1/4" x 18-15/16"	See Template	1/16/20 pcs.	22/390/420 lbs.

\*Standard packaging: Single boxed / Pallet of single boxed / Pallet of bulk pack.  
All dimensions are in inches. Specifications subject to change without notice.

Project/Job name

Architect/Engineer

Contractor

Model

Q'ty

Notes

### Installation profile

