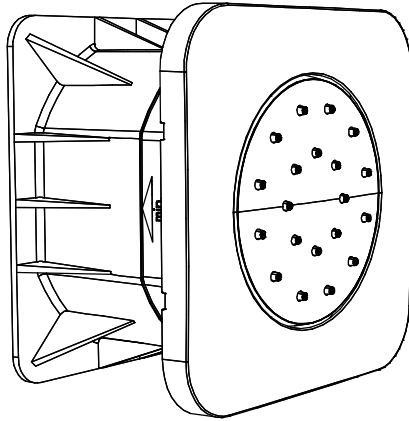


196.6410 | 1/2" Body Jet With Concealed Valve - Round



SPECIFICATIONS:

- 1.05 GPM Flow Rate @ 60 PSI
- Includes Concealed In-Wall Valve
- 20 Degree swivel directional angle

FINISHES :

- Chrome - 196.6410CP, Brushed Nickel - 196.6410BN

STANDARDS:

- ASME A112.18.1 / CSA B125.1

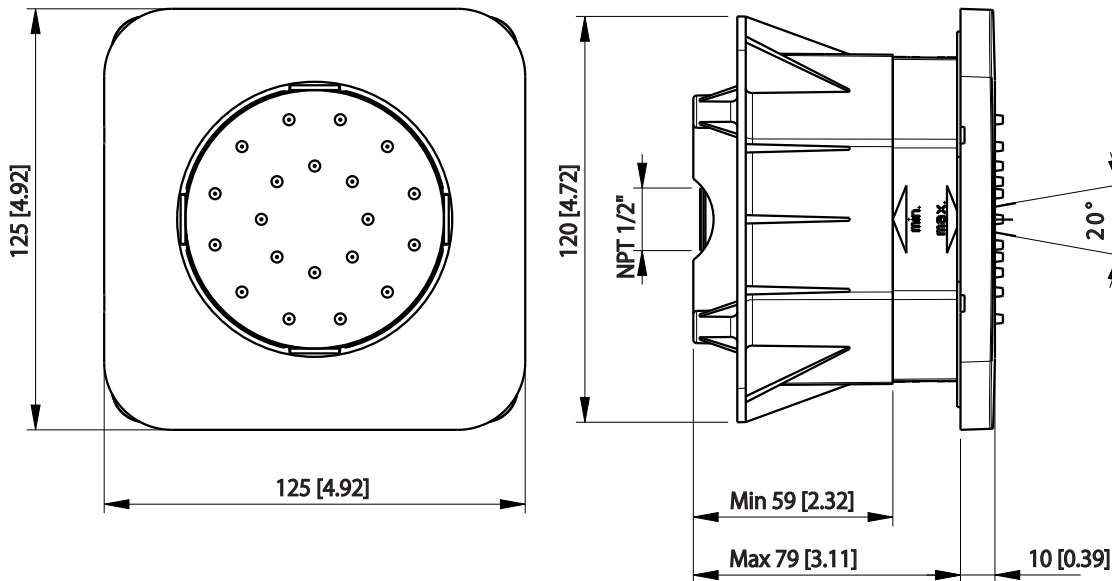
Legislation Compliance



ZeroDrip Technology

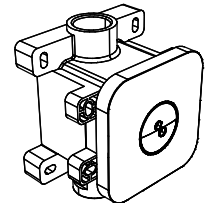


Technical Diagram



SEE ALSO:

1) 196.6415 (1/2" Spin Jet)



2) 196.6435 (1/2" Spin Jet)

