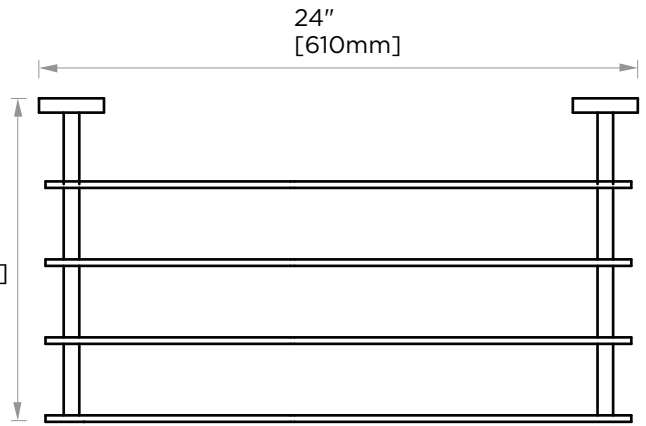
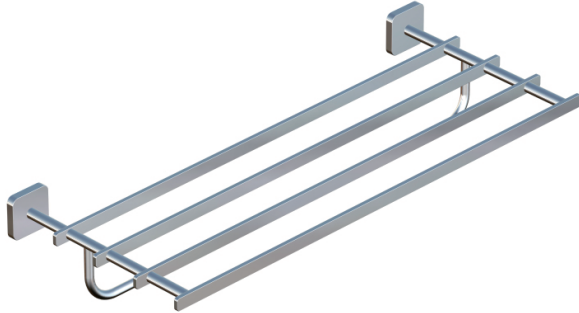


MILAN COLLECTION
DOUBLE TOWEL SHELF
254442



PRODUCT NAME: DOUBLE TOWEL SHELF

PRODUCT CODE: 254442

MATERIAL: All-brass construction

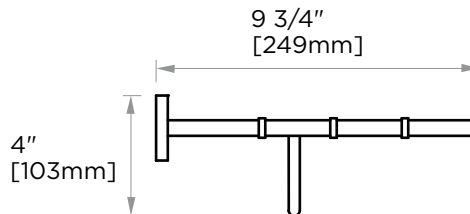
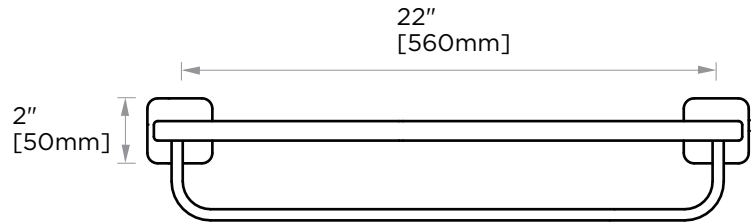
KEY FEATURES: Contemporary design. Clean linear statement combined with engineered curves.

STOCKED FINISHES:

- Polished Chrome (99)
- Brushed Nickel (81)
- Polished Nickel (68)
- Matte Black (48)

SPECIAL FINISHES AVAILABLE: 26 options available. Please see our website for full list samples

WARRANTY:
Lifetime Limited (Residential Use)
One Year (Commercial Use)



NOTE: Dimensions and specifications are subject to change without notice.