

KINGSTON

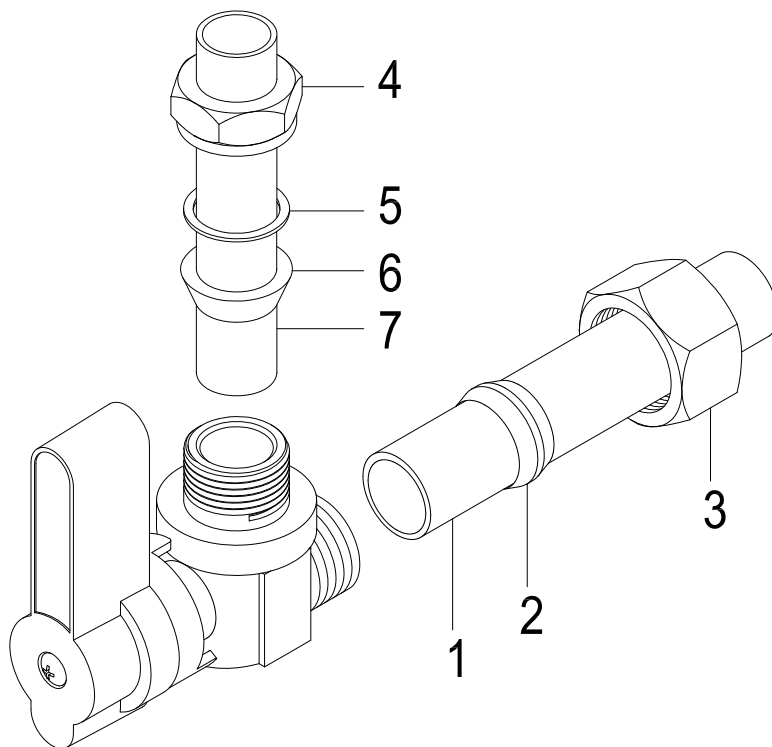
KITCHEN & BATH

INSTALLATION INSTRUCTIONS

Angle Stop

Instructions:

1. Place nut (3) and ring (2) on tube (1).
2. Insert tube (1) into valve.
3. Wrench tighten nut (3) onto valve.
4. Place nut (4), metal washer (5) and rubber washer (6) on tube (7).
5. Insert tube (7) into valve.
6. Wrench tighten nut (4) onto valve.
7. Stop any leaks by tightening nuts slightly.



www.kingstonbrass.com

TOLL-FREE CUSTOMER SERVICE: 1-877-2-KBRASS

TECHNICAL SUPPORT E-mail: service@kingstonbrass.com

12775 Reservoir Street, Chino, CA 91710