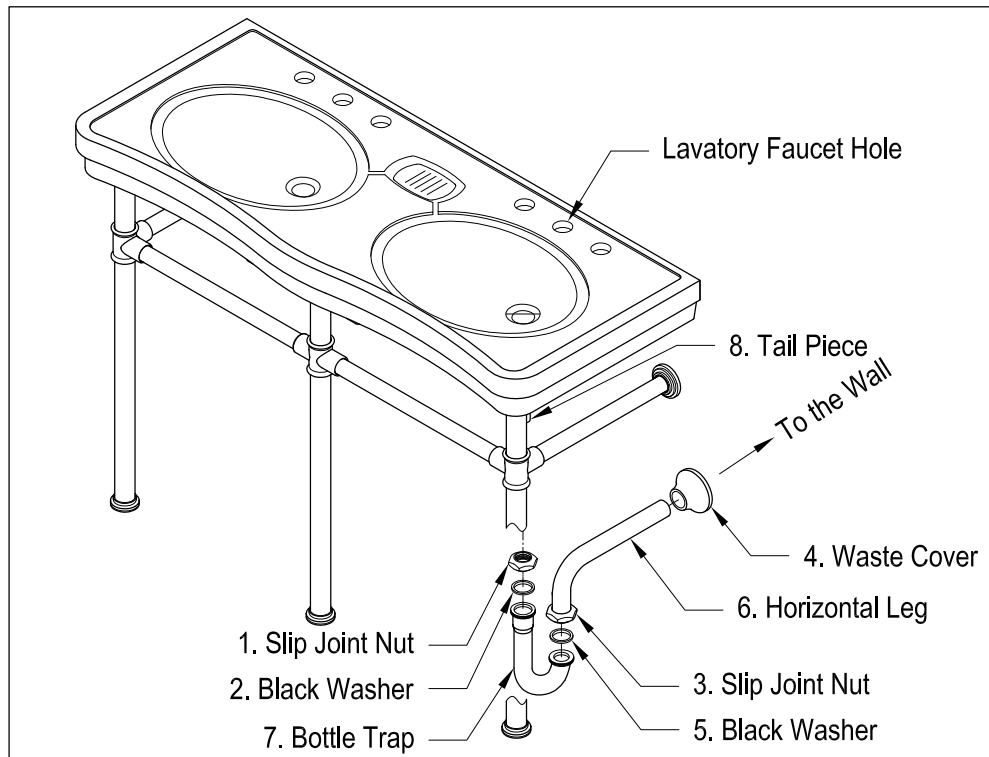


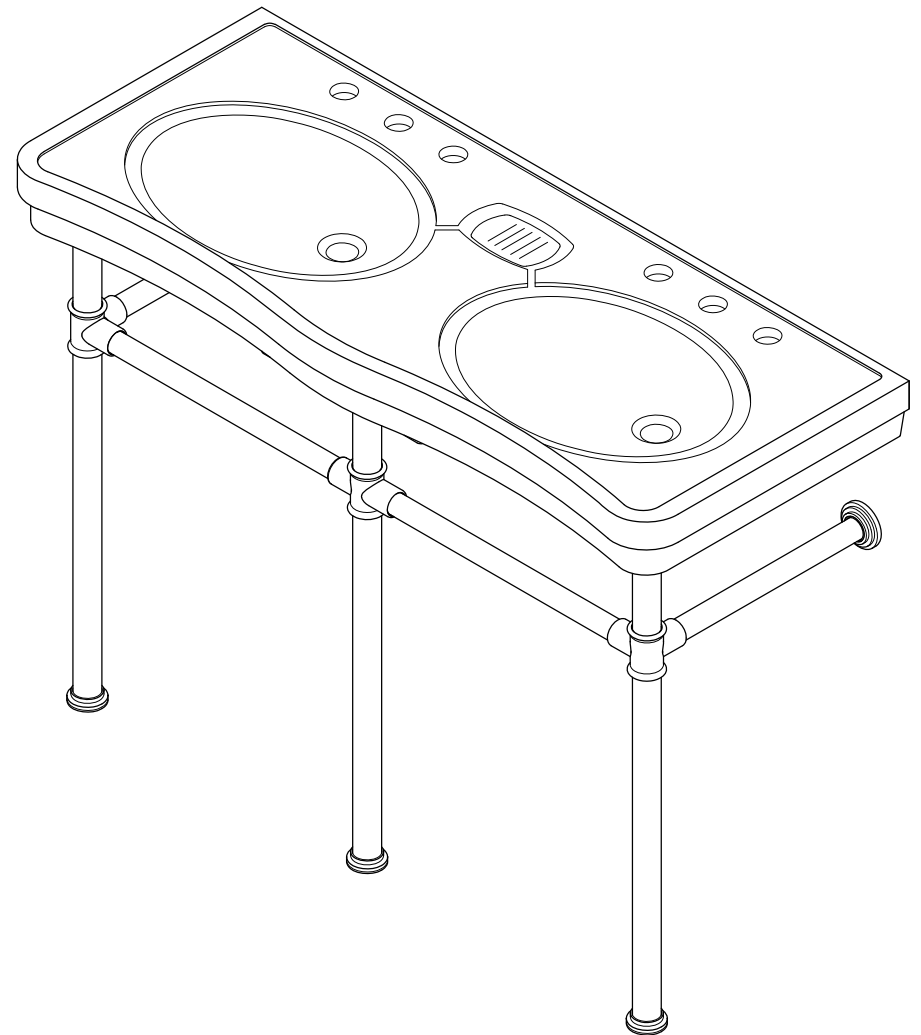
P-Trap Installation:



1. Remove horizontal leg and slip joint nut from bottle trap.
2. Apply Teflon tape to all exposed threads.
3. Insert slip joint nut (3) and waste cover (4) onto horizontal leg (6).
4. Insert horizontal leg into wall waste opening, do not tighten.
5. Insert black washer (2) and slip joint nut (1) onto tail piece (8).
6. Attach bottle trap (7) to tail piece and hand tighten slip joint nut (1).
7. Align bottle trap with horizontal leg and tail piece, at this point it may be necessary to cut part of tail piece or part of horizontal leg to obtain proper alignment.
8. After all components have been properly aligned, insert horizontal leg making sure to insert black washer (5) before tightening slip joint nut (3).
9. Thread both slip joint nuts onto bottle trap and tighten along with slip joint securing horizontal leg to wall waste opening.
10. Check for leakage by opening faucet and letting water run for at least 45 seconds.

Cleaning Instructions: Wipe this whole set off with warm water and a soft cloth. Do not use soaps, cleansers, or brass cleaners as they will disintegrate the protective coating and leave the brass exposed therefore causing tarnishing.

FAUCETURE



www.kingstonbrass.com

TOLL-FREE CUSTOMER SERVICE: 1-877-2-KBRASS

TECHNICAL SUPPORT E-mail: service@kingstonbrass.com

12775 Reservoir Street, Chino, CA 91710

FAUCETURE

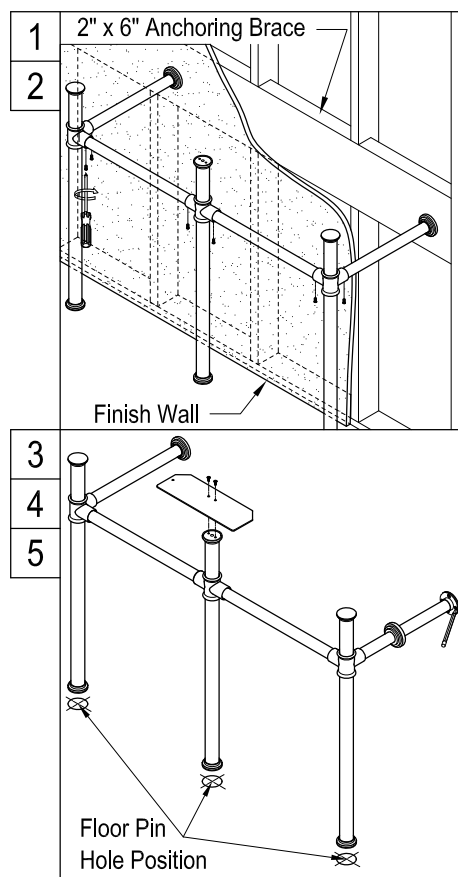
INSTALLATION INSTRUCTIONS

Console Sink Legs

Before Installation :

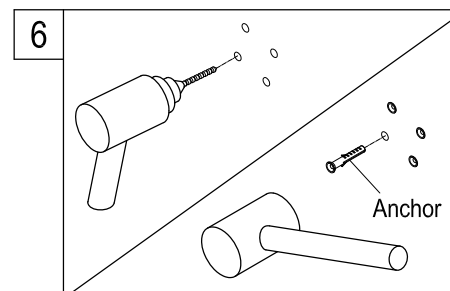
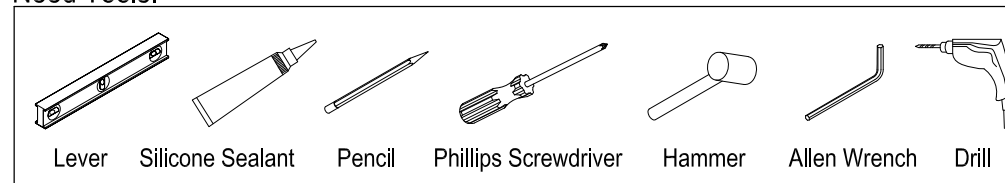
1. Before beginning the installation of your console pedestal basin, it is important to identify the type of wall where the pedestal will be installed and prepare the installation location accordingly.
2. Install an anchoring brace in the wall prior to installing the drywall, this can be a 2" x 6" piece of wood that will fit between the two studs, then install drywall and finish as usual. Due to the excessive weight of this pedestal it should not be mounted on drywall unless it is properly secured to the anchoring brace.

Installation Step :

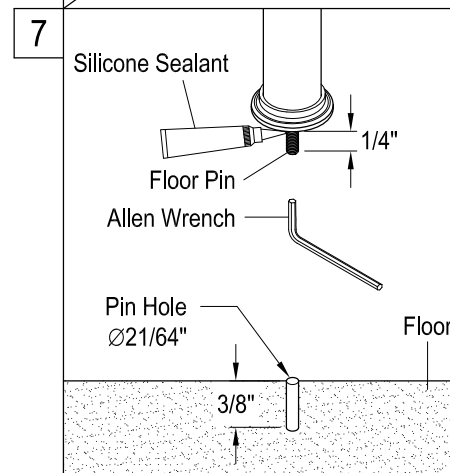


1. Join the three vertical leg supports by inserting the horizontal crossbars into the leg support tees, and secure by tightening screw from underneath.
2. Insert the two horizontal short arms (wall support arm) into the leg support tees, and secure by tightening screw from underneath.
3. Secure the middle supporting plate by tightening two screws, make sure the plate's longer side without chamfers is installed facing out as shown.
4. Place the leg support assembly at the location where the console basin will be installed. Adjust to make sure the vertical legs are plumb and horizontal arms are level.
5. Use pencil to mark the locations of drill holes for wall support flanges and floor support flanges. Remove the leg support assembly and drill the holes necessary to install the anchors on the wall and the holes to fit the floor pins.

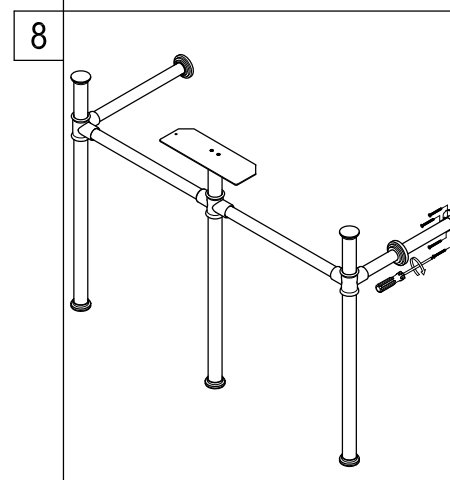
Need Tools:



6. Remove the leg support assembly and drill the holes necessary to install the anchors on the wall and drill the holes on floor to fit the floor pins. Install all the anchors on the wall with a hammer.

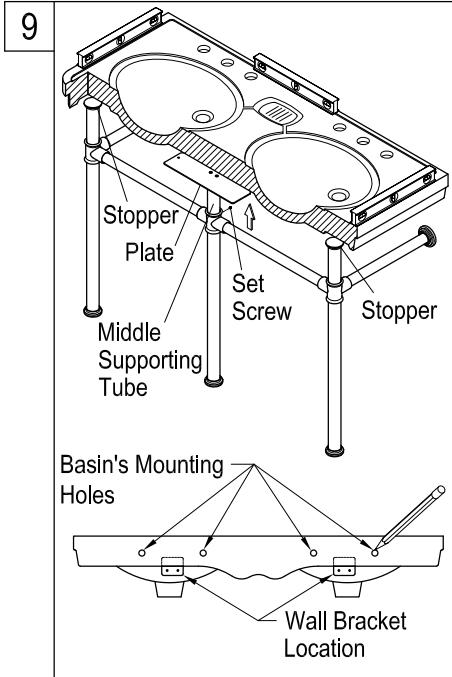


7. Apply silicone sealant on one threaded end of the floor pin, secure it into the bottom of vertical legs with an Allen wrench. Make sure the floor pin protrude 1/4" from the bottom surface.

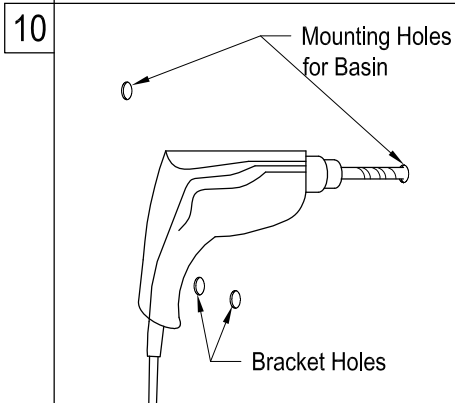


8. Move and adjust the position of the leg support assembly, so the three floor pins can completely go into the drilled holes on the floor. Then secure the leg support assembly to the wall by tightening all the wooden screws on the wall flanges of the short arms.

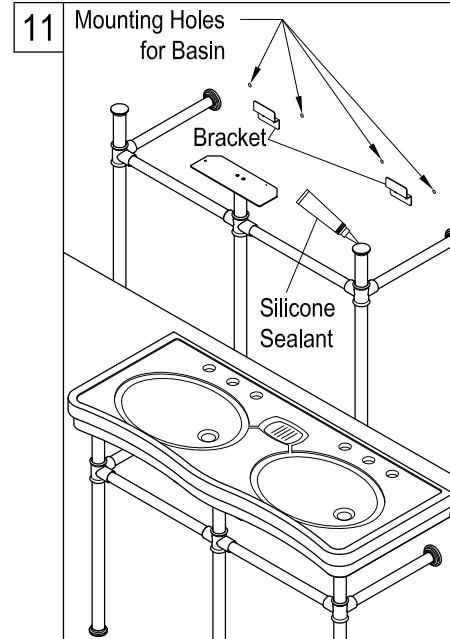
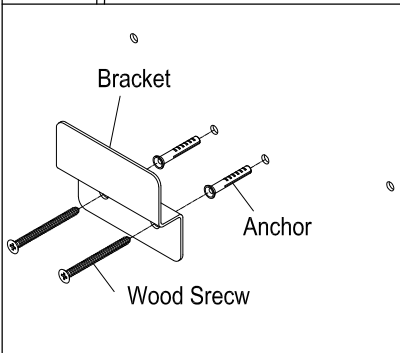
Installation Step :



9. Carefully place the basin on the top of leg support assembly with its back against the wall. With the help of a second person, carefully place the basin on the top of leg support assembly with its back against the wall. Adjust the stoppers on both tops of legs and level the basin, then move up the middle supporting tube until the middle supporting plate touches the basin, secure it by tightening up the set screw. Place the basin supporting bracket to the flat edge under the basin. Mark the location of the basin's mounting holes and the location of drill holes for the bracket.

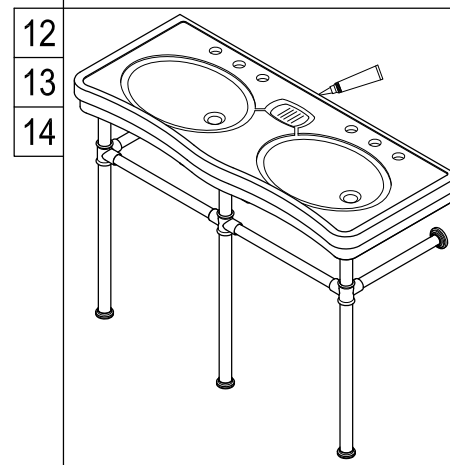
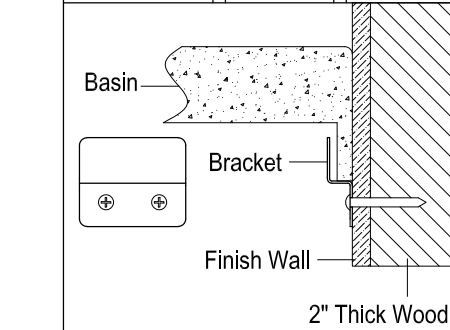


10. Remove basin, drill the mounting holes and holes for bracket. Secure the bracket onto the wall by hammering the anchors and tightening the wood screws. If you are installing on a plaster (drywall) wall we recommend using toggle bolt anchors (included), drill 5/8" hole at the marked location of the mounting holes.



11. Apply silicone sealant on the tops of the two vertical legs. Place the basin on the top of the leg support assembly, make sure its back is securely held by the bracket and the basin is level and firmly sat on.

Secure the basin with toggle bolt anchor as shown on the next page, then install the bracket by tightening up the wooden screws.



12. Apply a bead of silicone caulking around the perimeter of the back of the basin.
13. Install faucet and drain on basin as per the faucet manufacturer's instructions.
14. Attach supply lines and P trap, clean any excess caulking.

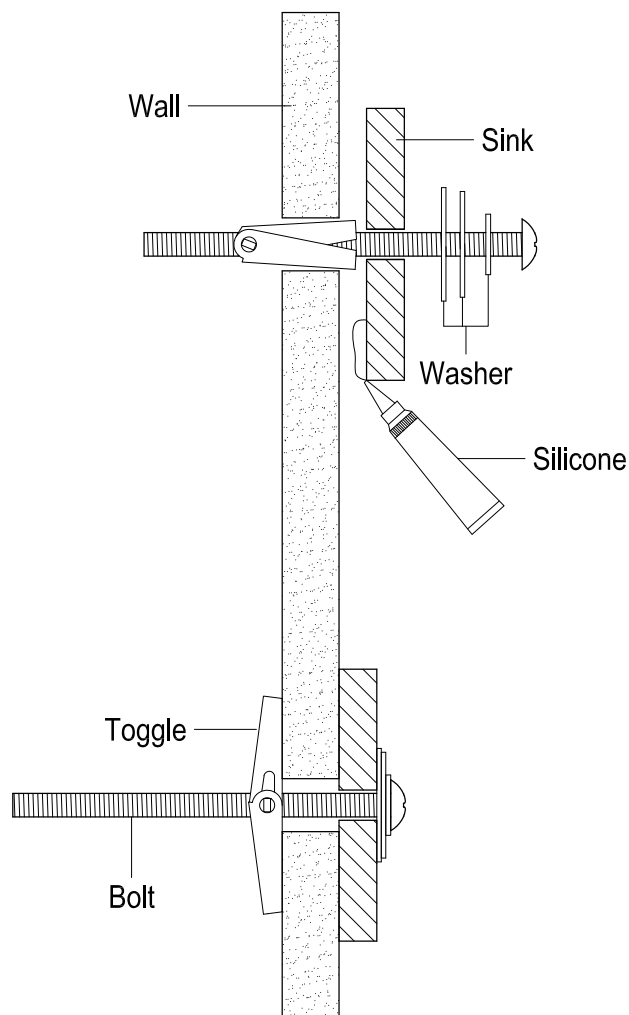
Important: We do recommend installing wood blocking inside your wall to add support to your stand. If you choose not to insert wood blocking, you will need to use heavy duty anchors (such as steel or toggles).

KINGSTON

KITCHEN & BATH

Toggle Bolt Anchor Installation Instructions:

1. If you are installing on a plaster (Drywall) wall we recommend using toggle bolt anchors (included), drill a 5/8" hole at the marked location of the holes
2. Remove toggle from bolt, insert washer on the bolt and insert bolt through the basin mounting holes.
3. Thread no more than 1/2", with the tip of the toggle pointing towards the head of the bolt, apply a bead of silicone caulking around the perimeter of the back of the sink and secure the sink to the wall by inserting the toggle bolt through the holes.
4. Make sure that the bolt went far enough to allow the toggle bolt to open, thread the bolt while pulling on it, this will ensure that the toggle inside the wall will not spin, thread until the basin has been properly secured.



www.kingstonbrass.com

TOLL-FREE CUSTOMER SERVICE: 1-877-2-KBRASS

TECHNICAL SUPPORT E-mail: service@kingstonbrass.com

12775 Reservoir Street, Chino, CA 91710