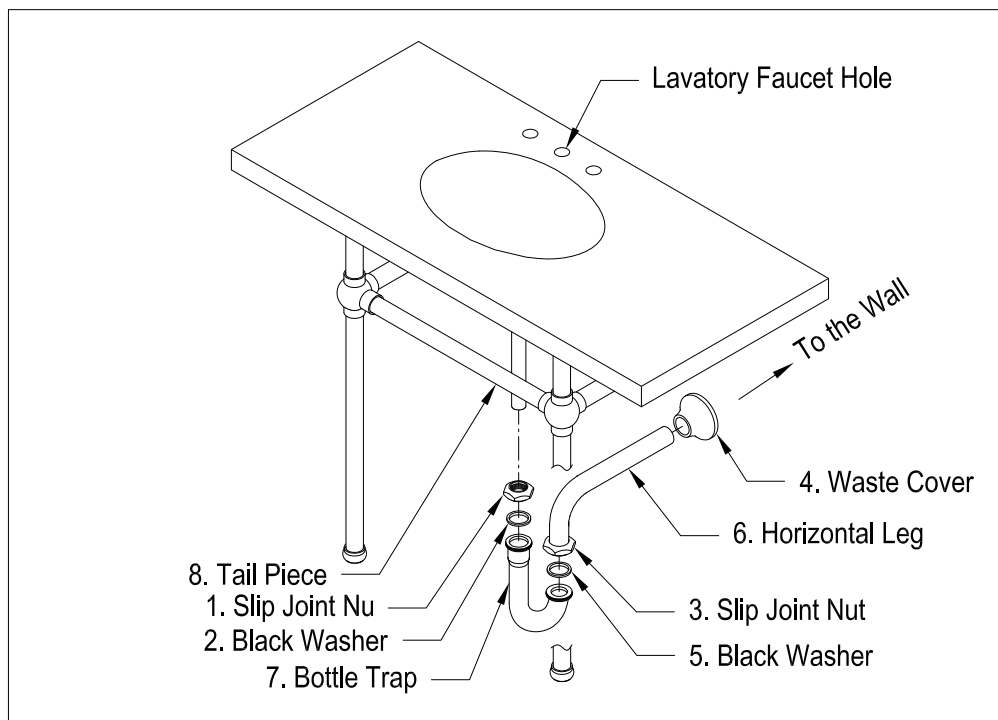
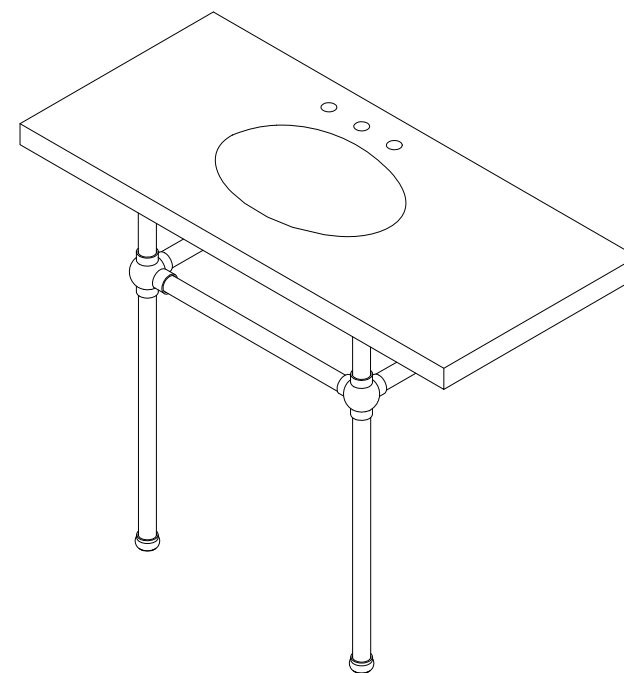


P-Trap Installation:


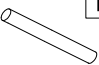
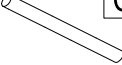



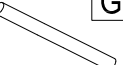



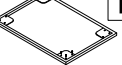


1. Remove horizontal leg and slip joint nut from bottle trap.
2. Apply Teflon tape to all exposed threads.
3. Insert slip joint nut (3) and waste cover (4) onto horizontal leg (6).
4. Insert horizontal leg into wall waste opening, do not tighten.
5. Insert black washer (2) and slip joint nut (1) onto tail piece (8).
6. Attach bottle trap (7) to tail piece and hand tighten slip joint nut (1).
7. Align bottle trap with horizontal leg and tail piece, at this point it may be necessary to cut part of tail piece or part of horizontal leg to obtain proper alignment.
8. After all components have been properly aligned, insert horizontal leg making sure to insert black washer (5) before tightening slip joint nut (3).
9. Thread both slip joint nuts onto bottle trap and tighten along with slip joint securing horizontal leg to wall waste opening.
10. Check for leakage by opening faucet and letting water run for at least 45 seconds.

FAUCETURE



Parts:

Flange	Side bar	Support bar	Support bar	3-Way Ball Joint	4-Way Ball Joint
 A	 B	 C	 D	 E	 F
6 Pcs	2 Pcs	2 Pcs	2 Pcs	2 Pcs	2 Pcs
Front Bar	Foot Piece	Floor Screw	Mounting Screw & Anchor	Frame	
 G	 H	 I	 J	 K	
1 Pc	2 Pcs	2 Pcs	6 Pcs	1 Pc	

www.kingstonbrass.com

TOLL-FREE CUSTOMER SERVICE: 1-877-2-KBRASS

TECHNICAL SUPPORT E-mail: service@kingstonbrass.com

12775 Reservoir Street, Chino, CA 91710

FAUCETURE

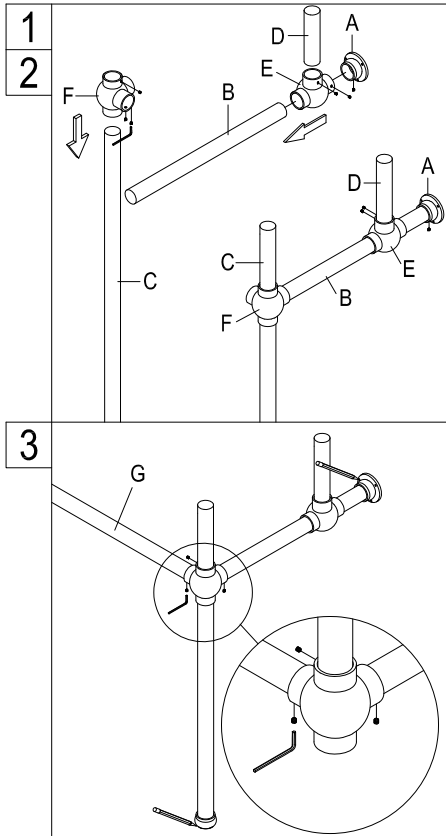
INSTALLATION INSTRUCTIONS

Wash Basin Pedestal

Before Installation :

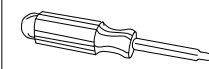
1. Prior the installation, unpack your new Kingston Brass product and inspect it keep the product in its original package until you are ready to install it.
2. Shut the water supply off when replacing an existing fixture. Preparation of the floors and walls, including all additional wall supports, maybe required.
3. Observe all local plumbing and building codes.
4. Do not install this fixture alone.
5. Make sure to select appropriate drain as some of Kingston Brass vessel sinks do not include overflow hole.

Installation Step :

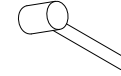


1. Start by assembling both side support legs as shown on figure 1, If necessary refer to the parts breakdown chart included in these installation instructions, after assembling Right & Left sides of the support legs, attach front bar (G) to join both sides, make sure to tighten all set screws on the leg support assembly.
2. With the help of a second person position the leg support assembly at the desired location, make sure to level and plumb the leg support assembly, mark the location of the holes on the wall support flanges as well as the perimeter of the location of the floor flange.
3. Install the appropriate anchors for the type of wall and floor where this washbasin will be installed, if necessary add wood support braces inside your wall in order to insure a secure support, screw in the floor flange at the marked location.

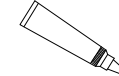
Need Tools:



Phillips Screwdriver



Hammer



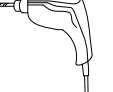
Silicone



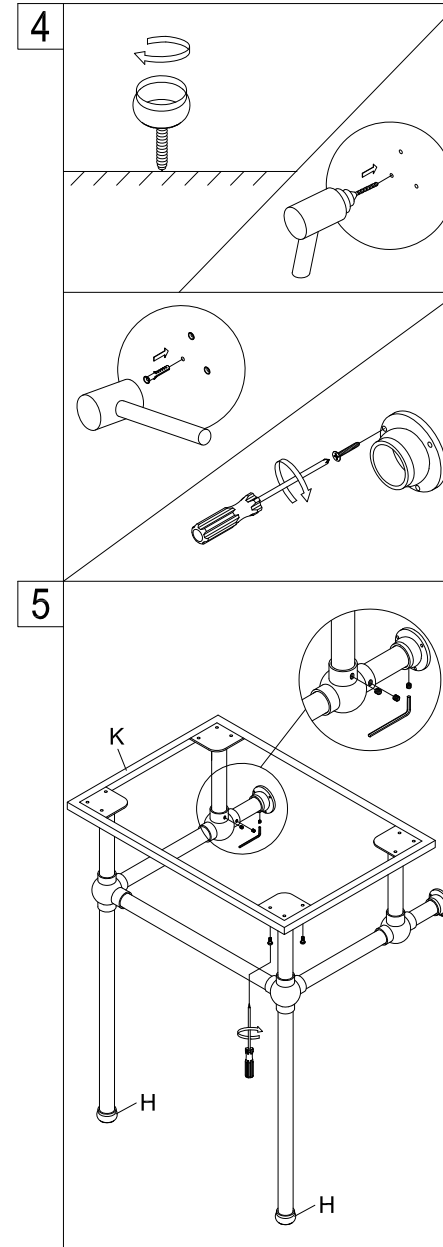
Allen Wrench



Pencil



Drill



4. Insert the assembled leg support assembly into the floor flange and attach to the wall support flanges.

5. Screw top frame to support structure by fastening with screws to each leg.

Important: We do recommend installing wood blocking inside your wall to add support to your stand. If you choose not to insert wood blocking, you will need to use heavy duty anchors (such as steel or toggles).

Cleaning Instructions: Wipe this whole set off with warm water and a soft cloth. Do not use soaps, cleansers, or brass cleaners as they will disintegrate the protective coating and leave the brass exposed therefore causing tarnishing.