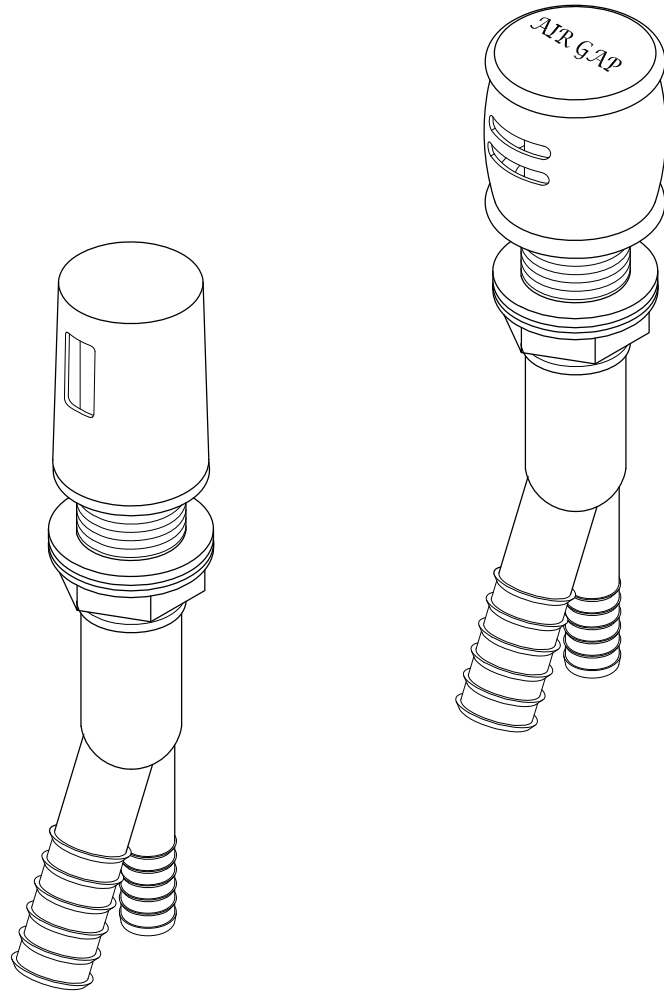


# KINGSTON

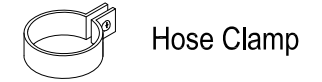
KITCHEN & BATH

## Air Cap Installation

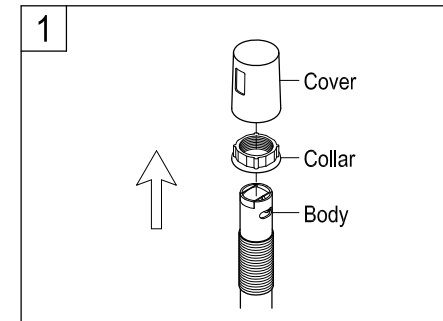


www.kingstonbrass.com  
 TOLL-FREE CUSTOMER SERVICE: 1-877-2-KBRASS  
 TECHNICAL SUPPORT E-mail: service@kingstonbrass.com  
 12775 Reservoir Street, Chino, CA 91710

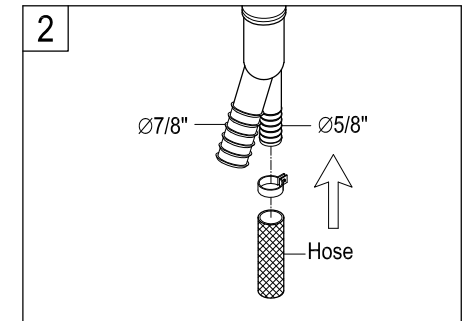
### TOOLS REQUIRED



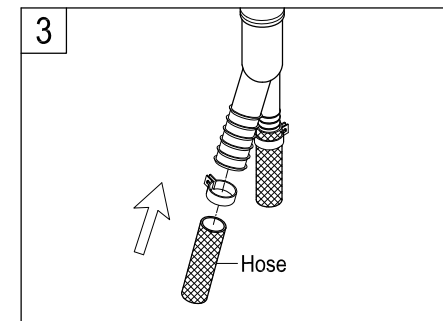
### INSTALLATION INSTRUCTIONS



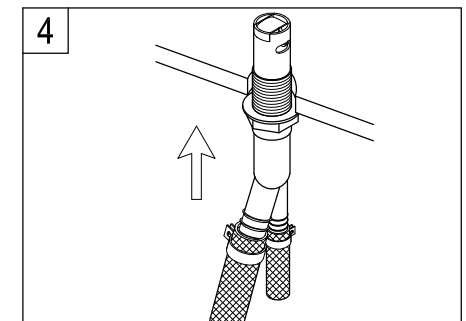
1. Remove cover and collar from body.



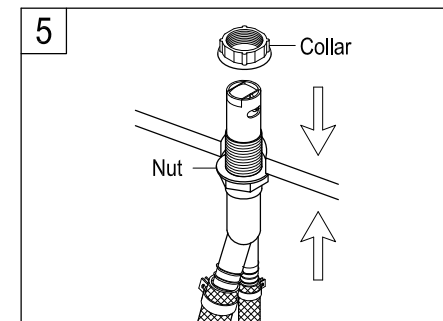
2. Attach 5/8" dishwasher drain hose to 5/8" leg. Secure with hose clamp.



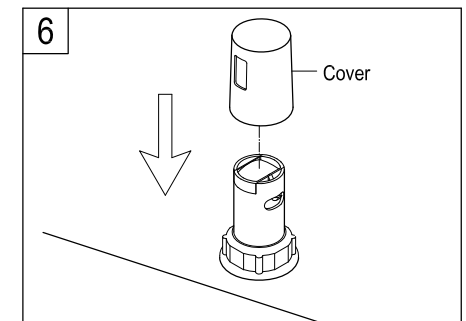
3. Attach 7/8" garbage disposal hose or side inlet sink trap drain hose to 7/8" leg. Secure with hose clamp.



4. Air Cap should appear above sink rim surface. Push body through mounting hole.



5. Tighten the nut and collar.



6. Place cover over the body collar.