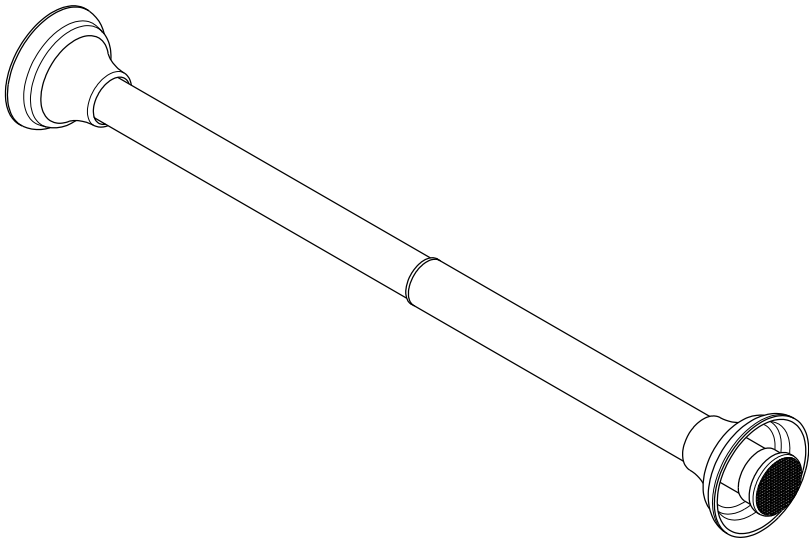


# KINGSTON BRASS

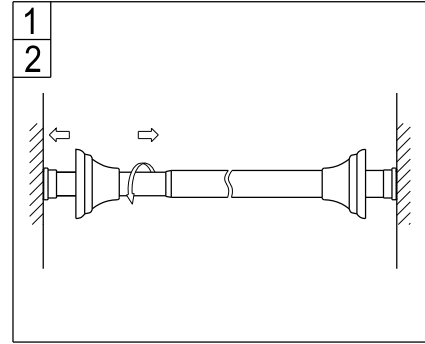
THE TRADITION OF FINE BRASS

## Adjustable Shower Rod Installation



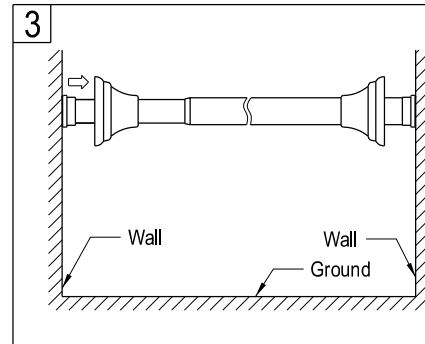
www.kingstonbrass.com  
TOLL-FREE CUSTOMER SERVICE: 1-877-2-KBRASS  
TECHNICAL SUPPORT E-mail: [service@kingstonbrass.com](mailto:service@kingstonbrass.com)  
12775 Reservoir Street, Chino, CA91710

### Installation Steps:

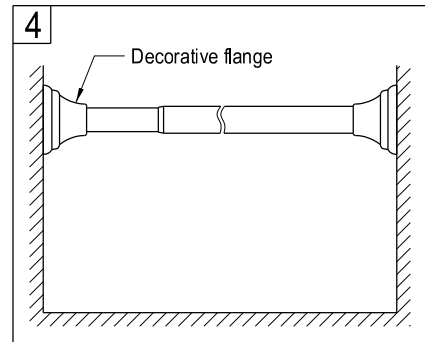


1. Position one end of the shower tension curtain rod at the desired height in the shower enclosure or wall.

2. Extend the rod out to reach the other side of the shower enclosure or wall.



3. Holding the larger sized rod, rotate the smaller rod until it is locked into position securely.



4. Place both decorative flanges against the bases to complete the installation.

### Cleaning

Clean with a damp cloth only.  
Avoid using metal or abrasive polishes.