

## DESCRIPTION

- Chrome plated metal construction
- 1/2" IPS connections
- Supplied with vandal resistant screws
- Valve body is of brass construction

## OPERATION

- Wrist Blade style handles with hot and cold color indicators
- Hot side counterclockwise (1/4) turn to open (clockwise to close)
- Cold side clockwise (1/4) turn to open (counterclockwise to close)


## FLOW

- Water usage is limited to these maximum flow rates as indicated by the corresponding product markings  
 $\circ$  1.2 gpm max (4.5L/min) at 60 psi

## CARTRIDGE

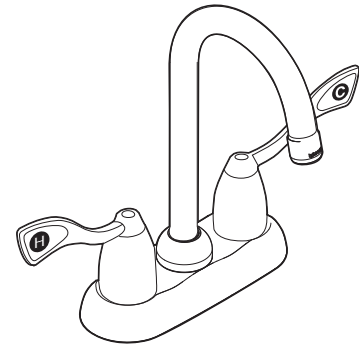
- 1224 cartridge design
- Nonmetallic and stainless steel construction

## STANDARDS

- Third party certified to meet ASME A112.18.1/CSA B-125.1 and all applicable specifications referenced therein
- Certified to NSF 61/9 & 372
- Products marked with 1.2 gpm are compliant with California water efficiency regulations
- Complies with California Proposition 65 and with the Federal Safe Drinking Water Act
- **ADA**  for lever handles

## WARRANTY

- Warranted for 5 years against material or manufacturing defects

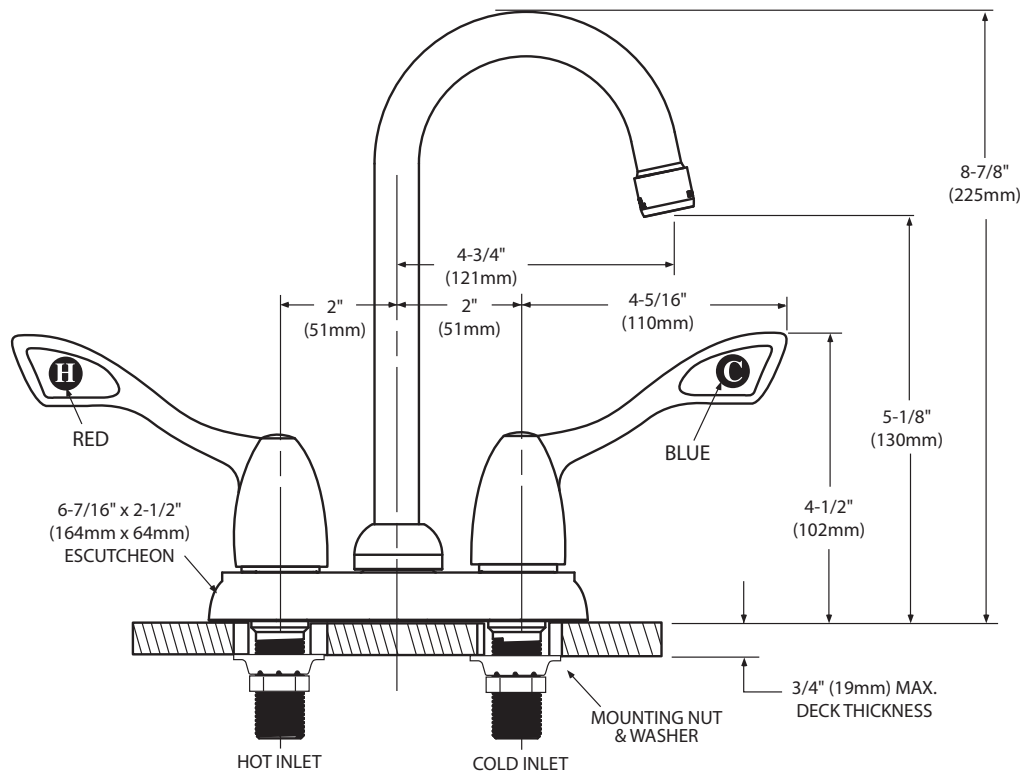


**Two-Handle Clinic Faucet**

**Model: 8948**



**NOTE:** This faucet is designed to be installed through 2 holes, 1" min. dia. and 4" on center



## CRITICAL DIMENSIONS

(DO NOT SCALE)