

# Norwell Lighting

Product Name **Vidalia Onion**  
 Model Number **1609 1611 1612 1613**  
 Project Name \_\_\_\_\_  
 Fixture Type \_\_\_\_\_ Quantity \_\_\_\_\_



Vidalia Onion Small - 1613  
Copper (CO) Clear Glass (CL)



Vidalia Onion Medium - 1612  
Black (BL) Clear Glass (CL)



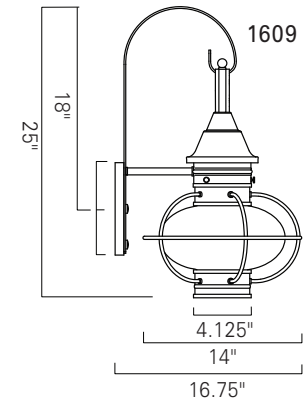
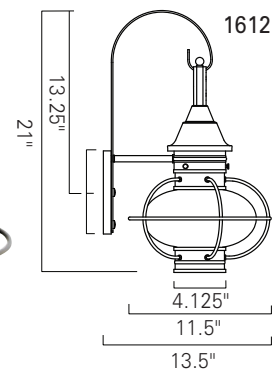
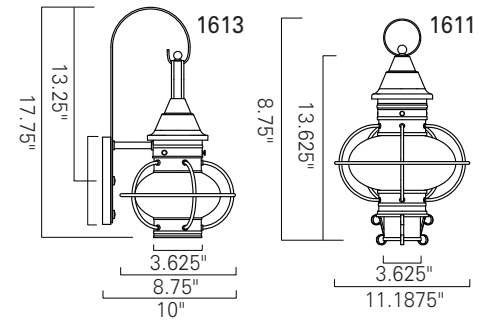
Vidalia Onion Large - 1609  
Sienna (SI) Clear Glass (CL)



Vidalia Onion Post - 1611  
Copper (CO) Prismatic Glass (PR)



Seedy Glass (SE)



Product Name / Model / Dimensions					Finish Options	Glass	Lamping Options
Vidalia Onion Small - 1613		Vidalia Onion Large - 1609			<b>Standard</b> Copper (CO)* Black (BL) Gun Metal (GM) Sienna (SI)  *Copper finish is no longer available for the Vidalia Onion Large - 1609	<b>Standard</b> Clear (CL) Prismatic (PR) Seedy (SE)	<b>Standard</b> Incandescent (1) 100 Watt Edison
Vidalia Onion Medium - 1612		Vidalia Onion Post - 1611					
	Height	Width	Projection	TTO			
1613	17.75"	8.75"	10"	13.25"			
1612	21"	11.5"	13.5"	13.25"			
1609	25"	14"	16.75"	18"			
1611	18.75"	11.5"					
1609 Backplate 10 3/8 H X 6 1/2 W 1612 Backplate 7 3/4 H X 5 3/4 W 1613 Backplate 6 3/4 H X 4 3/4 W							

9\_2018