

□ **OPB-401C**

□ **OPB-401BN**

Omnipro

Two - Handle Lavatory Faucet



FEATURES & BENEFITS

- This Product Contains Less Than 0.25% Weighted Average Lead Content On Wetted Surfaces
- Metal Pop-Up
- Ceramic Cartridge
- Quick Install Nuts
- Max Flow Rate 1.2 gpm (4.5L/min) at 60 psi (ASME A112.18.1/A112.18.1)

OPB-401C
Chrome Finish

OPB-401BN
Brushed Nickel Finish

Approvals:

Meets or Exceeds The Following:

- * ANSI/ASME A112.18.1/A112.18.1
- * NSF/ANSI 61 - Sec. 9
- * NSF/ANSI 372
- * IAPMO/cUPC
- * CA AB1953
- * ADA Compliant
- * EPA WaterSense
- * NSF/ANSI/CAN 61:Q ≤ 1



TEL: 800-217-4603

Visit Our Web Site : www.omniprofaucets.com

Product Spec Sheet

□ **OPB-401C**

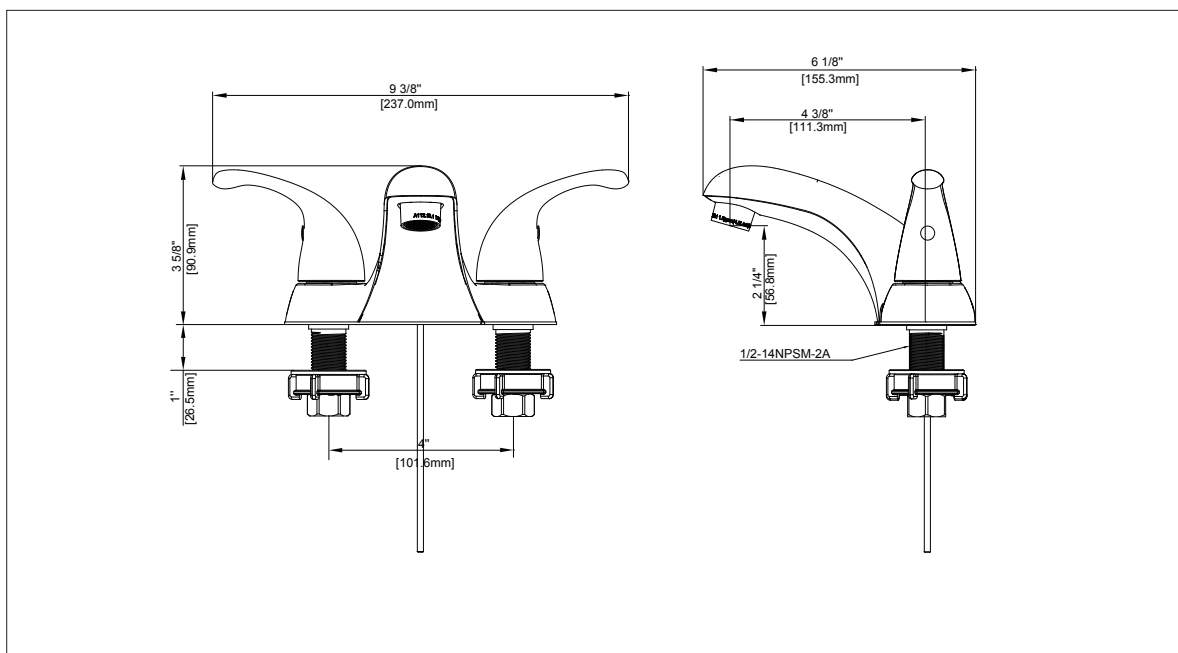
□ **OPB-401BN**

Omni**pro**

Two - Handle Lavatory Faucet

No.	Name	Part No.
1	Handle / <i>Llave</i>	RP13308*
2	Set screw / <i>Tornillo de fijación</i>	RP50002
3	Index H / <i>Índice H</i>	RP10004
4	Index C / <i>Índice C</i>	RP10005
5	Bonnet / <i>Bonete</i>	RP70678
6	Washer / <i>Arandela</i>	RP64124
7	Cartridge H / <i>Cartucho H</i>	RP20067
8	Cartridge C / <i>Cartucho C</i>	RP20068
9	Gasket / <i>Junta</i>	RP80620
10	Aerator / <i>Aireado</i>	RP30193*
11	Easy install nut / <i>Tuerca fácil de instalar</i>	RP56095
12	Coupling nut / <i>Tuerca de acoplamiento</i>	RP56002
13	Lift rod & Lift Rod knob / <i>Perilla de la varilla de extensión & Varilla de elevación</i>	RP40006*
14	Pop-up Assembly Less Lift Rod / <i>AEnsamble del Desagüe Automático Menos la Barra de Alzar</i>	RP40001*

* Specify Finish
* Especifique el Acabado



Product Spec Sheet

TEL: 800-217-4603

Visit Our Web Site : www.omniprofaucets.com