

- OPH-550C** **OPH-550BN**
 OPH-550MB

OmniPro

Single Handle Lavatory Faucet



FEATURES & BENEFITS

- This Product Contains Less Than 0.25% Weighted Average Lead Content On Wetted Surfaces
- Ceramic Cartridge
- Metal Lever Handle
- With 50/50 Push Pop-up
- With Single Hole Or Three Hole Installation
- Max Flow Rate 1.2 gpm (4.5 L/min) at 60 psi

OPH-550C
Chrome Finish

OPH-550BN
Brushed Nickel Finish

OPH-550MB
Matte Black Finish

APPROVALS:

Meets or Exceeds The Following:

- * NSF/ANSI/CAN 61 – Sec. 9: Q≤1
- * NSF/ANSI/CAN 372
- * IAPMO/cUPC
- * CA AB1953



NSF/ANSI/CAN 372
NSF/ANSI/CAN 61 & 9.0.1



Product Spec Sheet

TEL: 800-217-4603

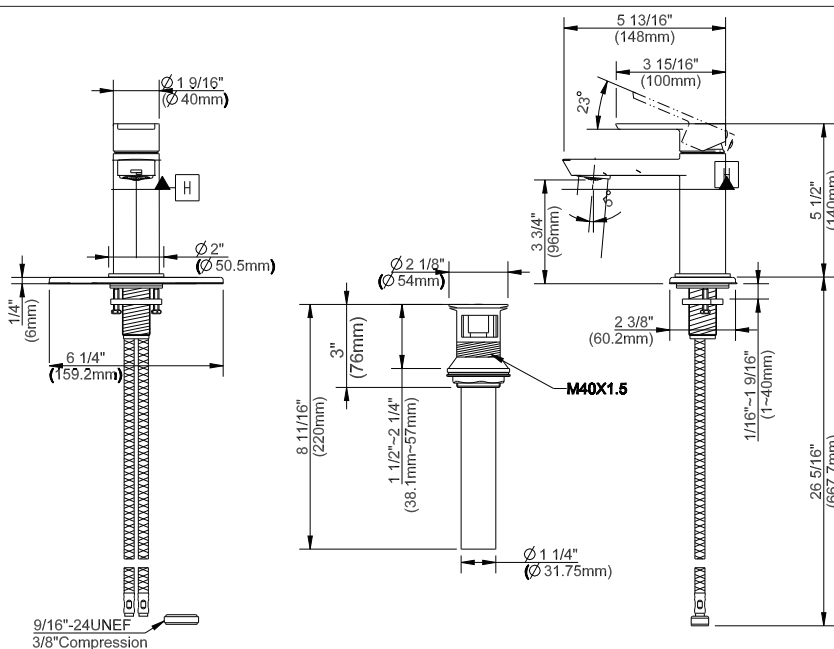
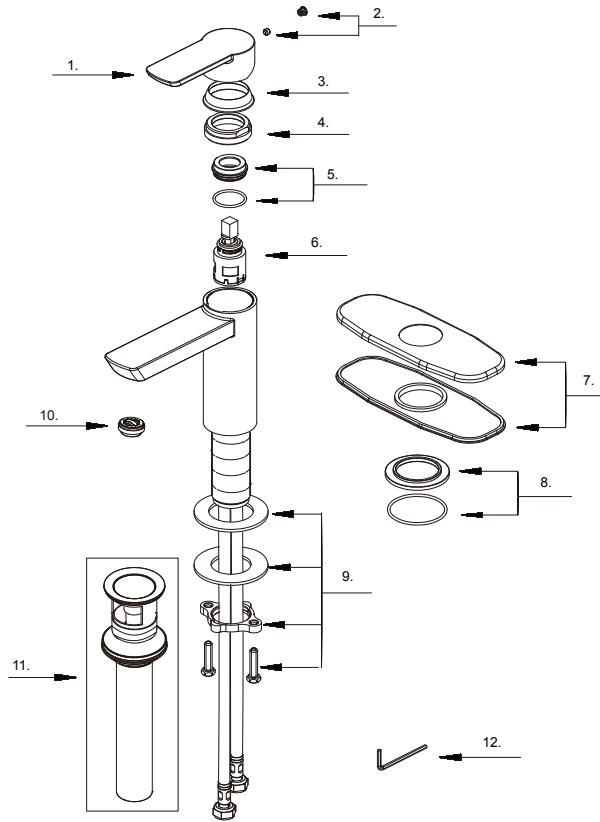
Visit Our Web Site : www.omniprofaucets.com

□ **OPH-550C** □ **OPH-550BN**

□ **OPH-550MB**

Single Handle Lavatory Faucet

No.	Name	Part No.
1	Metal Handle	A069499
2	Screw & Plug	A66D806
3	Trim Cap	A103060
4	Locking Nut	A104075
5	Adaptor Assembly	A66G564W
6	Ceramic Disc Cartridge	A507084N
7	Cover Plate Assembly	A663082-S
8	Base Assembly	A66F607-Z
9	Mounting Hardware	A663221-H
10	Aerator 1.2gpm	A553055N
11	50/50 Push Pop-up	A505219-P
12	Wrench (H2.5 * 19 mm L * 53mmL)	A031000NI



Product Spec Sheet

TEL: 800-217-4603

Visit Our Web Site : www.omniprofaucets.com