

Two Handle Tub & Shower Faucet

Product Spec Sheet



FEATURES & BENEFITS

- Matel Round Handles
- Washerless Cartridges
- Non Pressure Balanced
- Diverter Slip Fit Spout
- Max Flow Rate 1.75GPM (6.6 L/MIN) At 80 PSI
- Min Flow Rate 1.65 GPM (6.25 L/MIN) At 45 PSI
(ASME A112.18.1M/A112.18.1)

OPV-830C
Tub & Shower Faucet
Chrome Finish

APPROVALS:

Meets or Exceeds The Following:

* ANSI/ASME A112.18.1M/A112.18.1



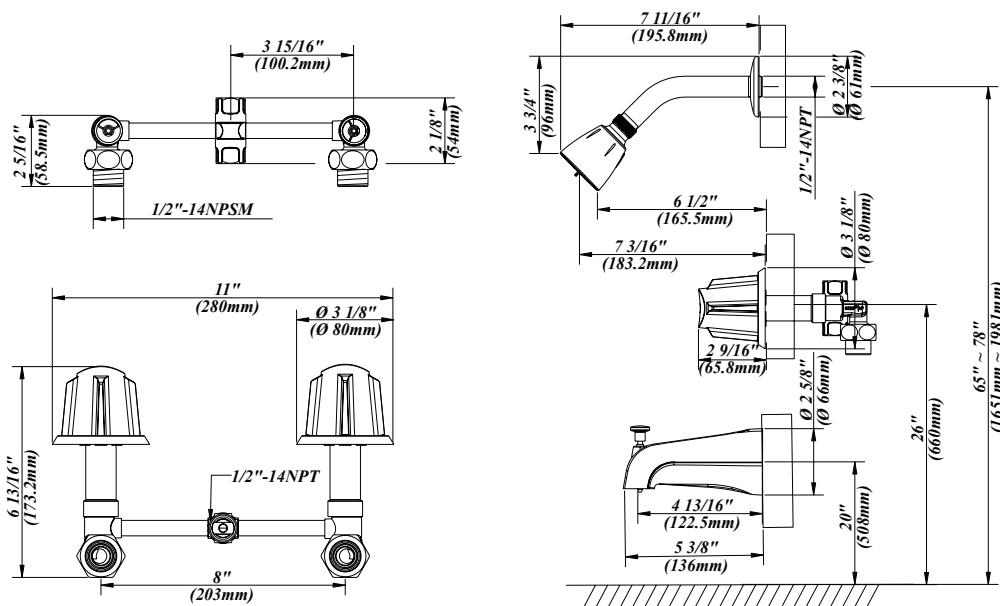
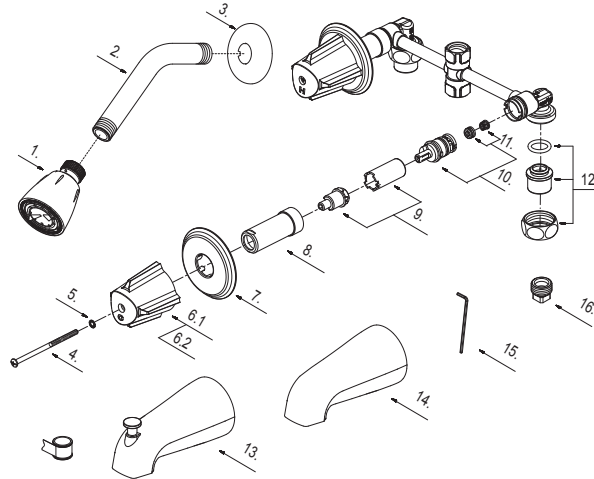
* WaterSense Only On Models Containing Showerheads

TEL: 800-217-4603

Visit Our Web Site : www.omniprofaucets.com

Two Handle Tub & Shower Faucet

No.	Name	Part No.
1	Shower Head	S1214202
2	Shower Arm	A020002
3	Shower Arm Flange	A019001
4	Screw	A008019
5	Washer	A080010ZN
6.1	Metal Handle-Cold	A069128C
6.2	Metal Handle-Hot	A069128H
7	Escutcheon	A111001-S
8	Sleeve	A216106
9	Stem Extension-Hot	A517000H
10	Cartridge Assembly	A66D636N
11	Seat & Spring Set	A663002
12	Union Nut	A603668
13	Spout W/Diverter	A118011
14	Spout Less Diverter	A132025
15	Hex Wrench (H 3.18 * 20 mm L * 90 mm L)	A031017NI
16	Plug	A028004



Product Spec Sheet