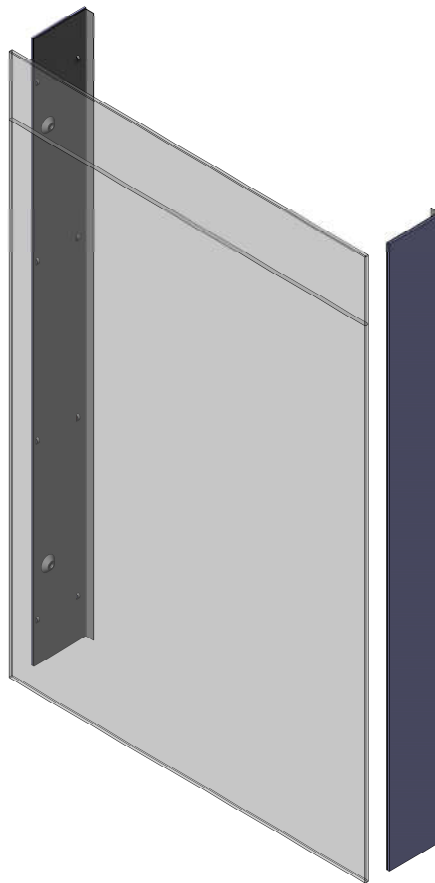


Gradient wall mount kit including side mirrors

kit fixation murale Gradient y compris les miroirs latéraux

Cabinets available in widths of:
Armoires de toilette disponibles dans les largeurs:

19 11/16", 23 5/8", 31 1/2", 35 1/2", 47 1/4", 59"



Please read instructions before proceeding
Lisez attentivement les instructions avant d'installer l'armoire de toilette

Save these instructions
Conservez-les instructions pour future référence

IMPORTANT SAFETY INSTRUCTIONS – to reduce the risk of burns, fire, electric shock, or injury:

- **This product is for household use only**
- **WARNING – do not use outdoors**
- **WARNING – use this furnishing only for its intended use as described in these instructions**
- **WARNING – never operate the furnishing with the air openings blocked. Keep the air openings free of lint, hair, and the like**
- **WARNING – never drop or insert any object into any opening**
- **WARNING – avoid dispensing of aerosol sprays near top of the cabinet**
- **SAVE THESE INSTRUCTIONS**

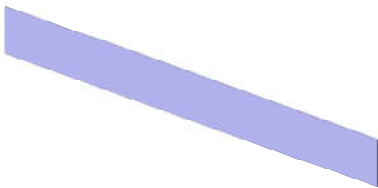
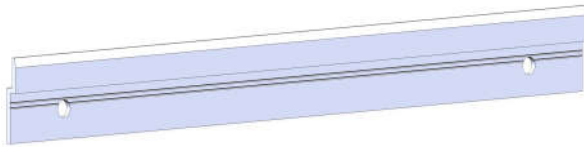
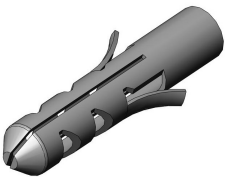



Importantes consignes de sécurités pour réduire les risques de brulures, d'incendie, de choc électrique et de blessures:

- **Ce produit est destiné seulement à un usage personnel et familial**
- **Avertissement – ne pas utiliser à l'extérieur**
- **Avertissement – Utilisez cette armoire pour l'usage approprié tel que décrit dans ce manuel**
- **Avertissement – Ne jamais faire fonctionner l'armoire si ses ouvertures d'aération sont obstruées. Veiller à ce que ses ouvertures soient exemptes de peluches, cheveux et autres.**
- **Avertissement – Ne jamais laissez tomber ou insérer un objet dans les ouvertures**
- **Avertissement – Éviter la pulvérisation de bombes aérosol à proximité haut de l'armoire**
- **VEUILLEZ CONSERVER CES INSTRUCTIONS**

List of all components to be installed
Liste des pièces à installer

the components pos.2 / pos.6 are included in the delivered mirror cabinet.

Pos.	Description	Quantity	Dimension	Comment
1	side mirror / miroir latéraux	2pcs.	90x911mm	wall mount only
2	mounting bracket / support de montage	1pc.	420/700/1120/1340mm	wall mount only
3	raw plug / goujons	5pcs.		wall mount only
4	screw / vis	4pcs.	M4x8	wall mount only
5	screw / vis	5pcs.	4.5x35mm	
6	anchor / goujons	5pcs.		wall mount only

	
pos. 1 side mirror / miroir latéraux	pos. 2 assembly rail/support de montage
	
pos. 3 raw plug / goujons	pos. 4 screw / vis
	
pos. 5 screw / vis	pos. 5 anchor / goujons

Installation Guide – Guide d’installation

Step 1 – Mounting bracket / Support de montage

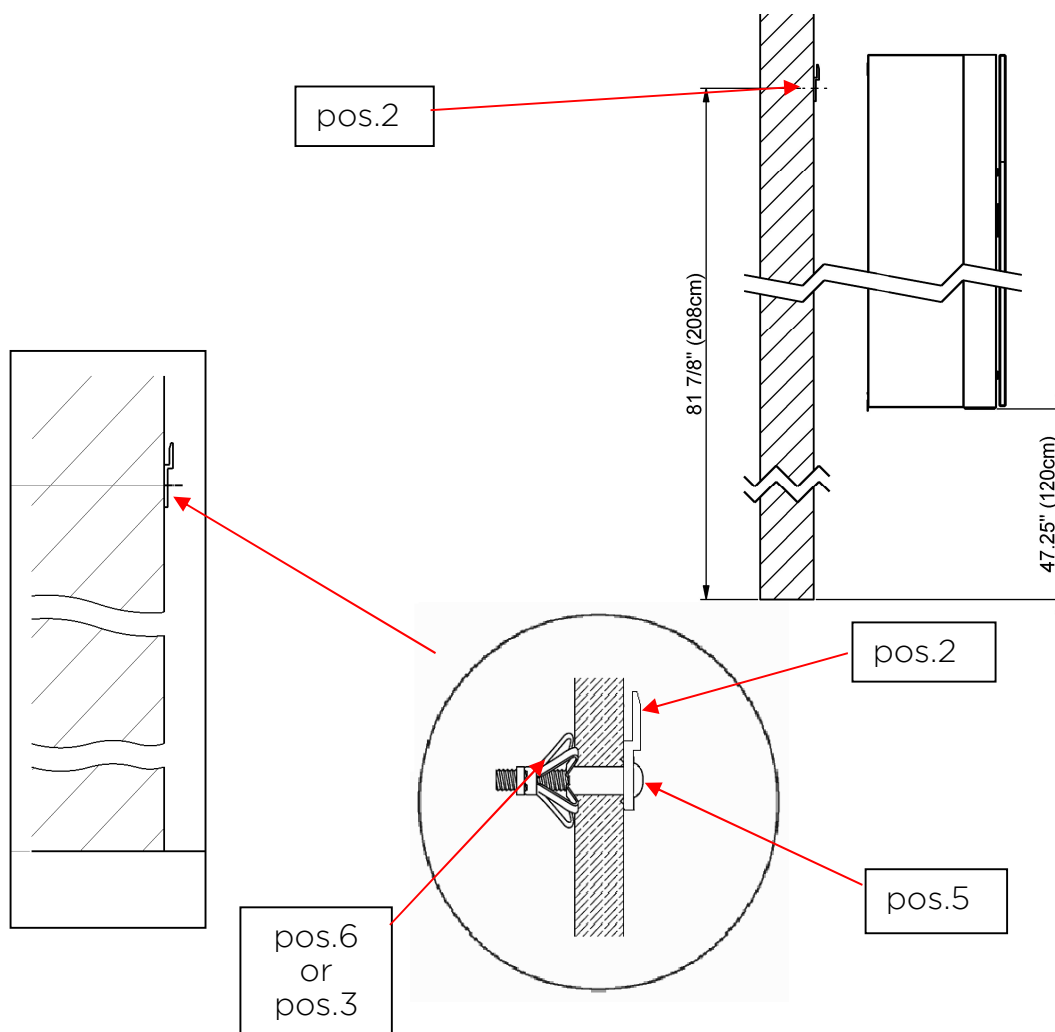
- 1) Mount the mounting bracket (pos. 2) according to the schematic drawings below. Recommend height: center of mounting holes at 76". Make sure that the mounting bracket is fastened to at least one wall stud. Use the correct anchors for the different types of walls.

Montez le support de montage (pos. 2) selon les schémas ci-dessous. Hauteur recommandée : centre des trous de montage à 76". Assurez-vous que le support de montage est fixé à au moins un poteau mural. Utilisez les ancrages appropriés pour les différents types de murs.

pos.7	dry walls, hollow brick walls / murs secs, murs en briques creuses
pos.4	brick walls, concrete walls / murs en briques, murs en béton

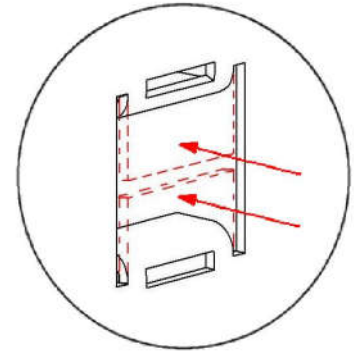
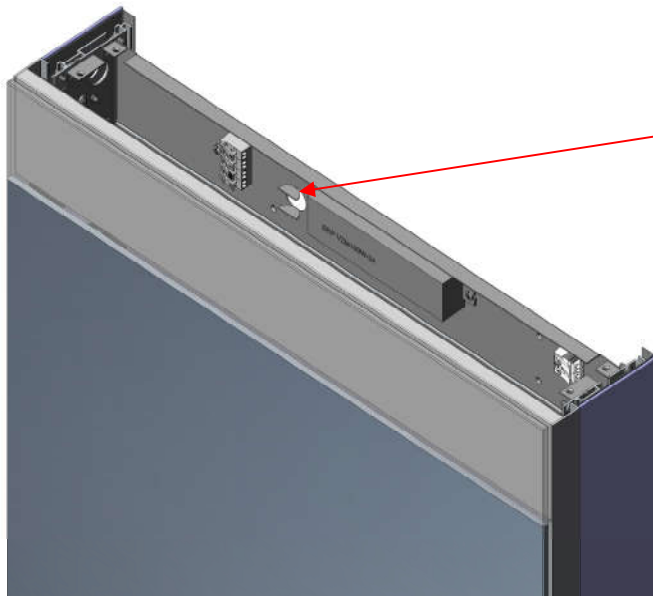
Drill holes 3/8" (10mm) for the anchors pos.4 or 1/4" (6mm) for pos.5. Check the mounting rail with a level before proceeding with the next steps.

Percez des trous 3/8" (10mm) pour les ancrages pos.4 ou 1/4" (6mm) pour pos.5. Vérifiez le rail de montage avec un niveau avant de passer aux étapes suivantes.

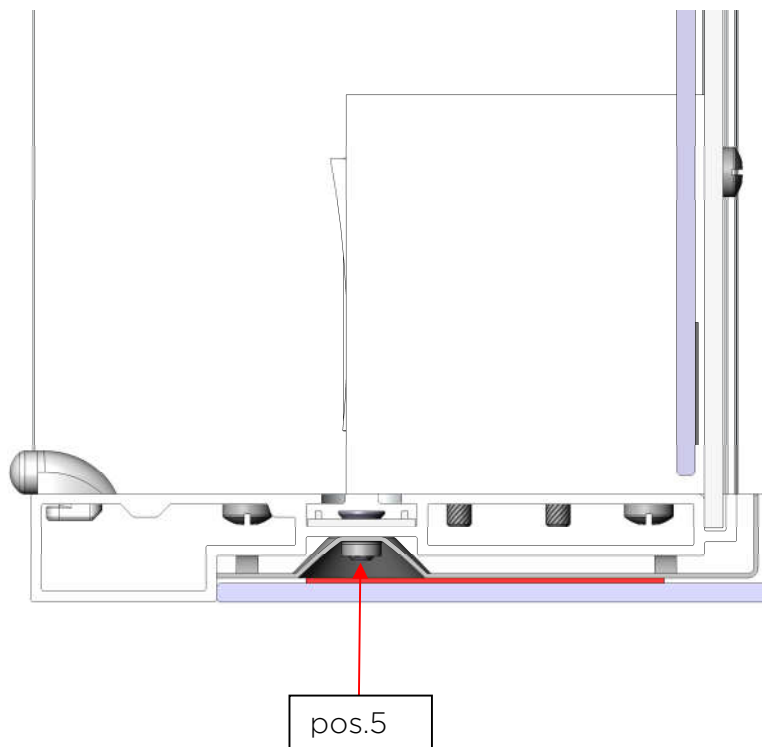


Step 2 – Preparing wiring / assembling side mirrors

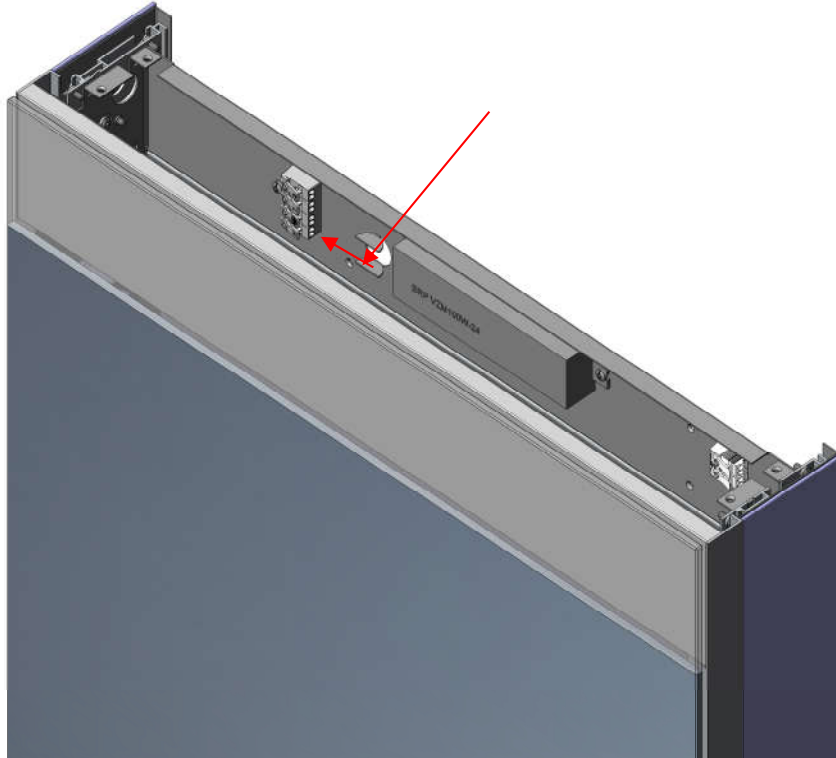
- 1) Bend the two flaps open at the back of the mirrored cabinet
Pliez les deux rabats ouverts à l'arrière de l'armoire à miroir



- 2) Mount the side kits
Monter les kits latéraux

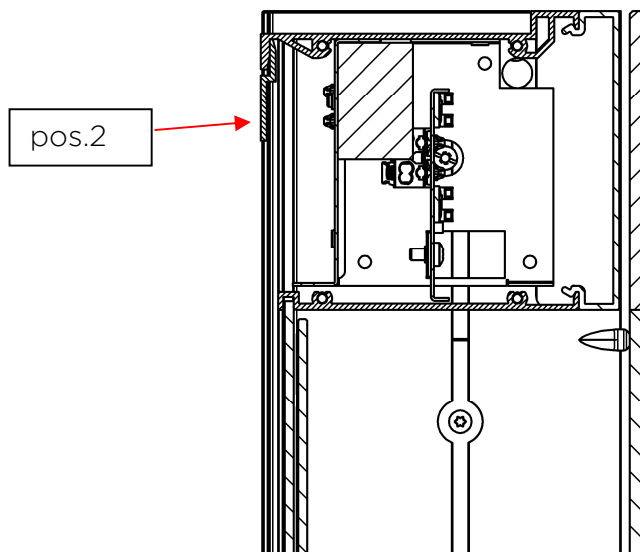


Step 3 – thread wires through back opening / passer les fils à travers l'ouverture arrière

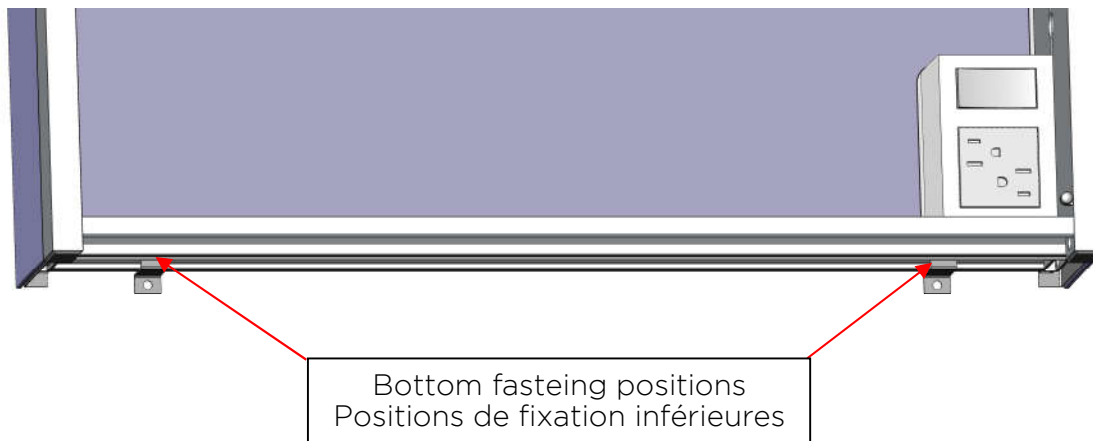


Step 4 – Mount the Cabinet / monter l'armoire

- 1) Hang the cabinet into mounting bracket Pos. 2
Accrochez l'armoire au support de montage Pos. 2



- 2) Center the mirror cabinet over the vanity and fasten it at the lower mounting holes as shown below, by using the anchors (pos.4 or pos.5).
Centrez l'armoire à miroir sur le meuble-lavabo et fixez-la aux trous de montage inférieurs comme indiqué ci-dessous, en utilisant les ancrages (pos.4 ou pos.5).



=> proceed with OPERATION INSTRUCTIONS *Gradient*
⇒ Step 5 (Connect the Electric Cables)

=> continuer avec le MODE D'EMPLOI *Gradient*
⇒ Step 5 (Connecter les cables électriques)

LIMITED WARRANTY

SIDLER will provide a two-year warranty in respect of defects associated with the Product, commencing from the date of delivery, subject to the following conditions:

- (I) The Product must have been professionally mounted and installed by a certified licensed contractor in accordance with the *Safety Standards Act, S.B.C. 2003, c. 39, as amended*, and the *Electrical Safety Regulation B.C. Reg. 100/2004, as amended*.
- (II) The Product must have been used by the Purchaser in the manner and for the purpose recommended and authorized by SIDLER and the manufacturer.
- (III) The Product must not have been modified, or changed in design or function following delivery.
- (IV) In each case, written notice by the Purchaser specifying the alleged defects must be received during the warranty period (within two years of the date of delivery).
- (V) The warranty is limited to replacement parts only.
- (VI) Damages resulting from normal wear and tear are excluded. The determination of whether damage has so resulted will be in the sole discretion of SIDLER.
- (VII) Damages resulting from any errors in representations made by the manufacturer regarding product specifications are excluded.