

**Installation notes:**

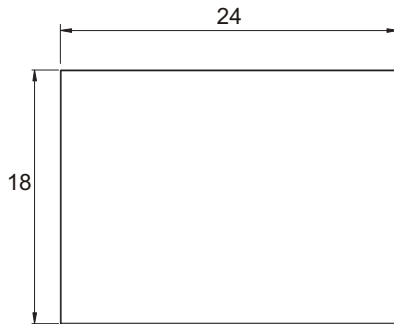
Faucet and silicone are not included.  
 All sizes are subject to tolerance.

**Sink assembly**

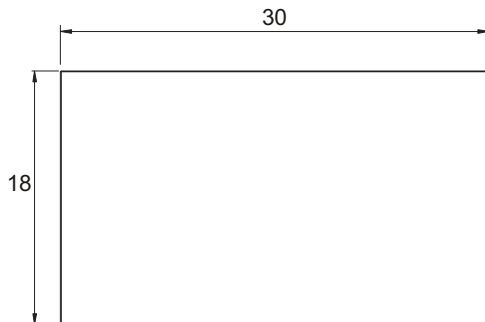
Install the faucet to the top and drains to the sink. Refer to the faucet and drain manufacturer's instructions.  
 Complete the faucet connections. Run water and check for leaks.  
 Apply a bead of silicone behind the top surface to the finished wall.

**SOLID SURFACE TOP ART. 50204 - 50208**

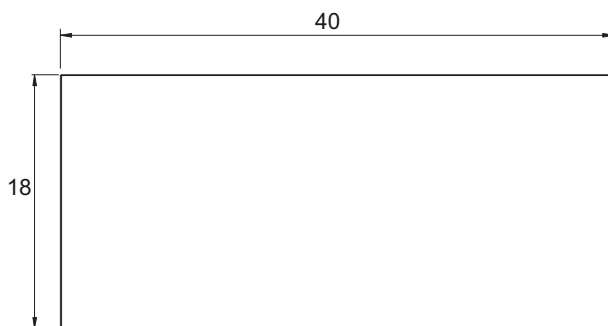
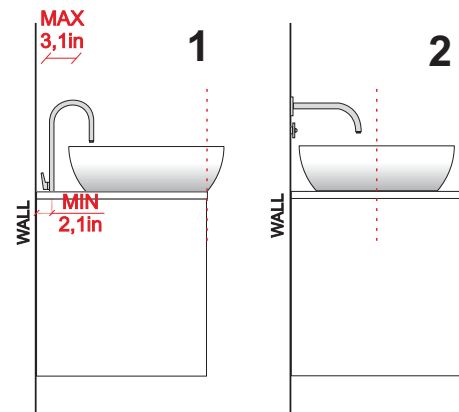
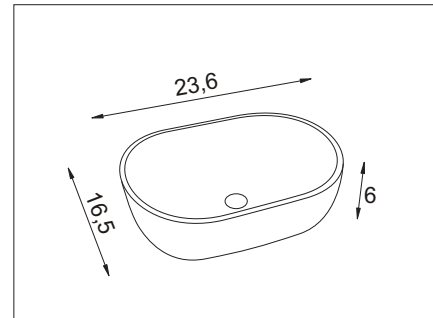
Top view of sink


**SOLID SURFACE TOP ART. 50205 - 50209**

Top view of sink


**SOLID SURFACE TOP ART. 50206 - 50210**

Top view of sink


**CERAMIC BASIN ART. 50179**

**SOLID SURFACE BASIN ART. 50184**
