

LUXURY ITALIAN  
FURNITURE

It's all  
about the  
experience



BADEN HAUS S.p.A.  
SINCE 1979  
www.badenhaus.it

# EDEN

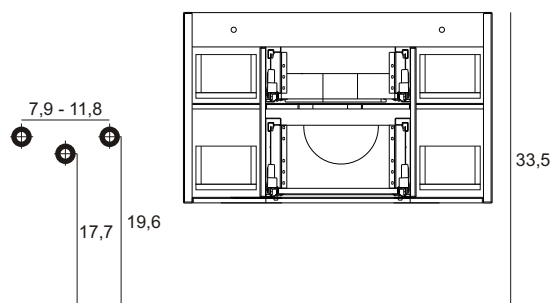
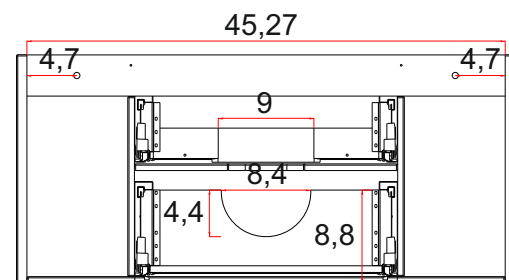
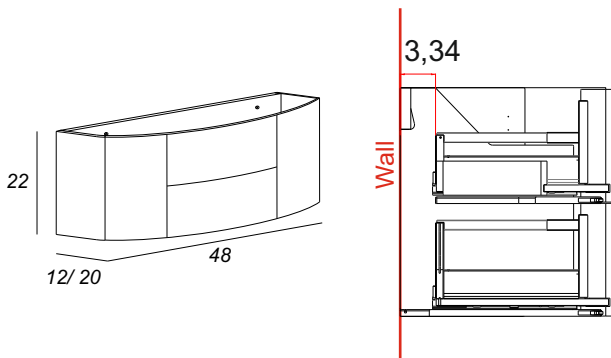
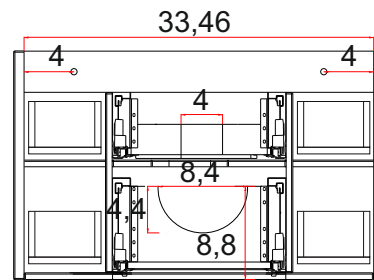
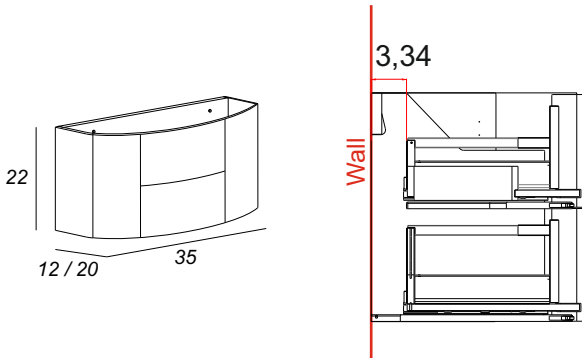
## Series

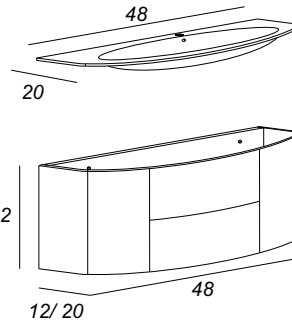
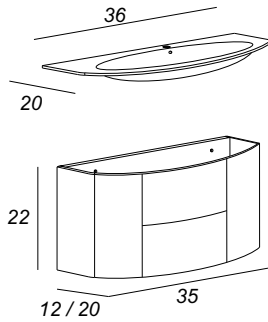
### Features:

- Drawers push-open and soft-close
- Handleless ergonomic continuous drawer
- Includes fully adjustable drawersliders
- Fully finished interiors
- Includes installation hardware
- Micro-Density Fiberboard (MDF) construction
- PVC finish resists moisture and scratches

Side view for plumbing

Back view for plumbing





**Basins available:**  
 - resin  
 - glass extralight

## FURNITURE CHARACTERISTIC



Cabinet in MDF, sides thickness 0,98in, doors and drawers 0,74in, coated in PVC 0,001in waterproof and scratchproof that guarantee long life and reliability.



Soft closing hinges guaranteed for 100,000 cycles. Soft closing slides guaranteed for 60,000 cycles. Hinges and slides used in furniture and complementary allow the adjustment in 3 different positions.



Resin washbasin thickness 0,78in impact resistant. Glass washbasin extra-light white thickness 0,59in and resistant to high temperature and impacts.



It is not necessary to assemble the cabinet (product not in kit).

## MIRRORS



Mirror lighting full-led, guarantee an energy saving of a 80/90% compared to a classic lighting incandescent or halogen and life of about 3/5 times higher.



The LED lighting can exceed 50.000 hours of activities, reducing the costs of maintenance. Not produce heat and withstand the high temperatures.  
 IP44 ☐ C E



Unlike normal halogen lamps, do not contain mercury and do not emit harmful UV rays for the health.

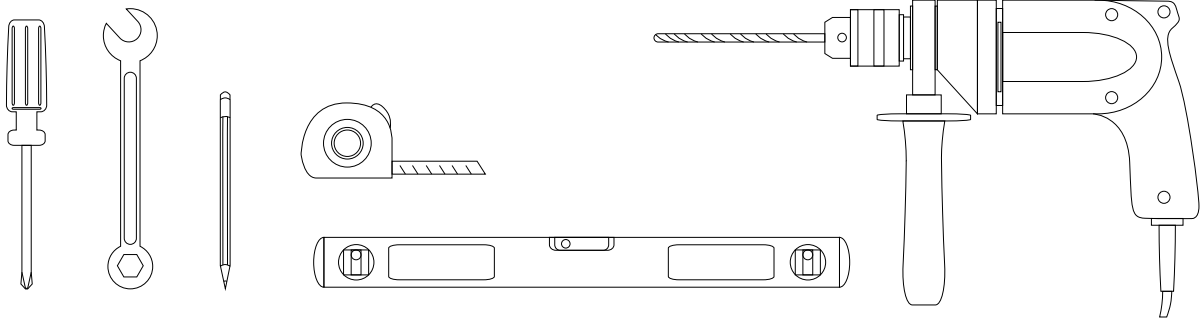
**Installation notes:**

Install this product according to the installation guide  
 Special site preparation is required.

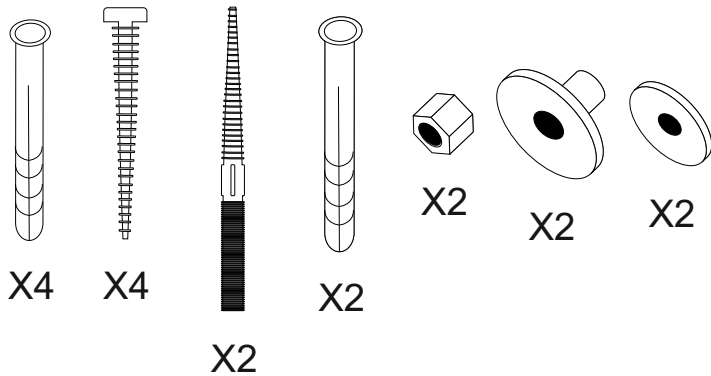
Wall bracing and Baden Haus supplied hardware are recommended.

The plumbing must be roughed into the plumbing cutout area of the vanity.

Refer to the sink rough-in and the vanity rough-in for proper placement. The water supply and drain lines must be installed before installing the vanity.

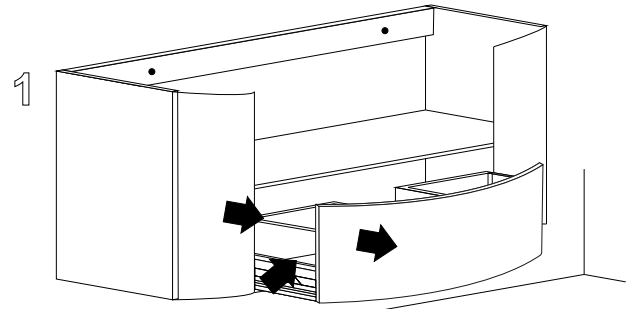
**Installation tools not included:**

**Materials Included:**

- 4 short nylon rawlplug
- 4 short screws
- 2 long nylon rawlplug
- 2 acorn nut
- 2 nylon washer
- 2 metal washer

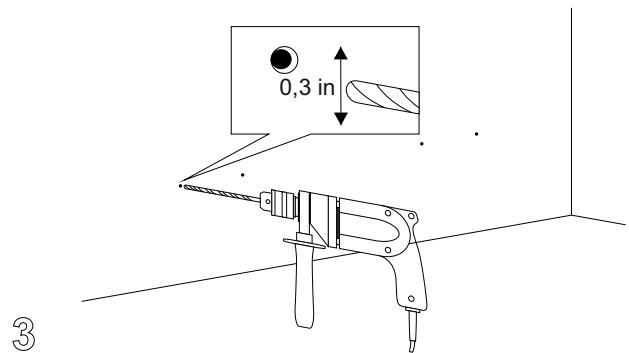
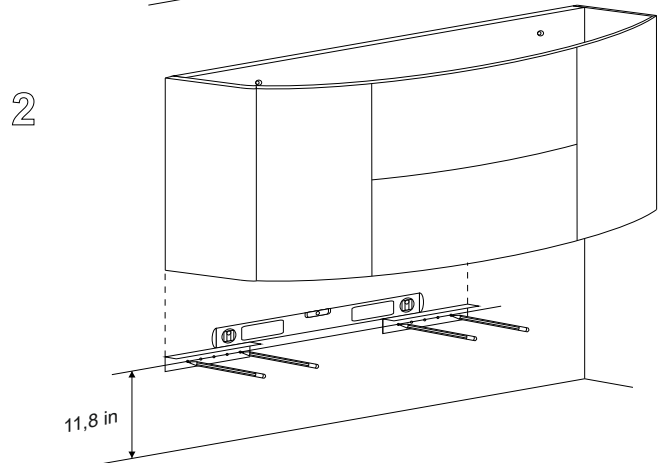


**Step 1**

Pull out completely the drawers and take off from the slide rails.


**Step 2**

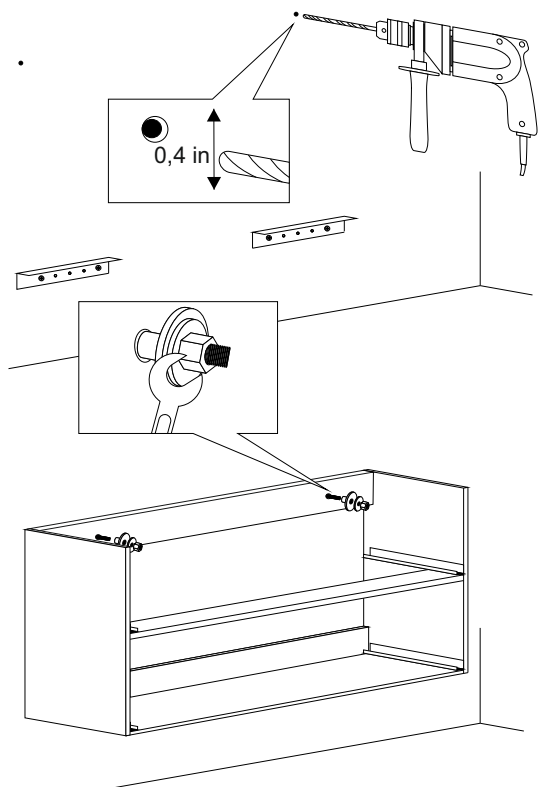
Determine the ideal location of your new vanity. Mark the holes and drill pilot holes in the dry wall.


**Step 3**

Place the wall brackets on the finished wall and install at the locations drilled with the screws as shown here.

According to measures taken on step 2, make drills with diameter 0,4in. Then insert nylon rawlplug for each drill.

Fix wall plate to wall using screws.



**Installation notes:**

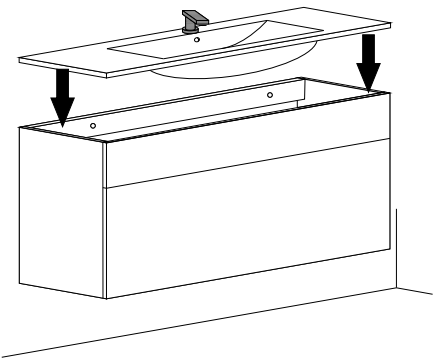
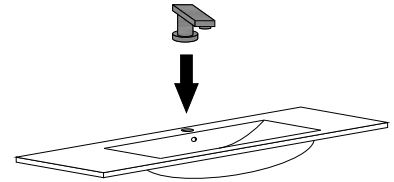
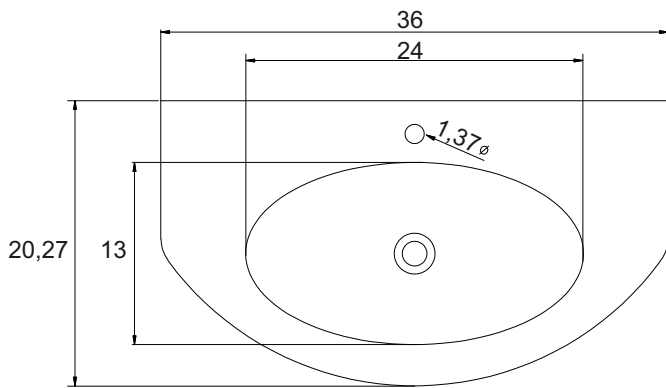
Faucet and silicone are not included.  
 All sizes are subject to tolerance.

**Sink assembly**

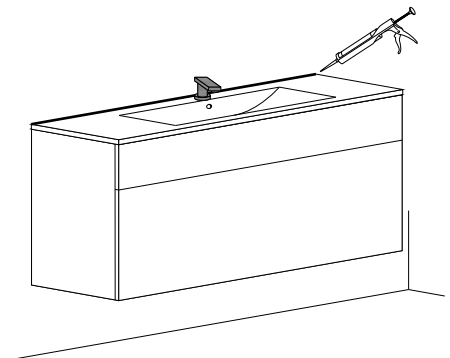
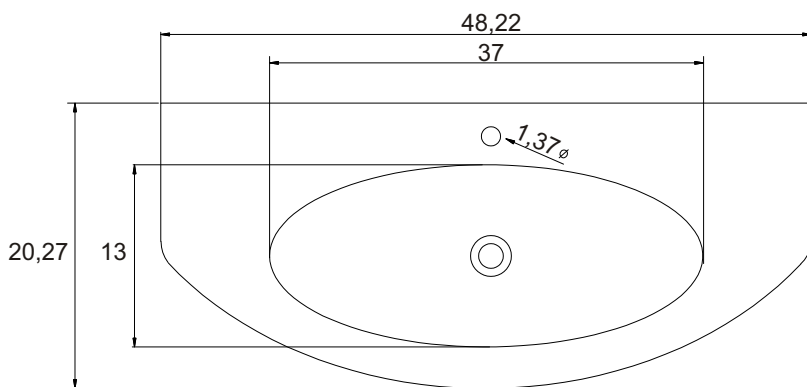
Install the faucet to the top and drains to the sink. Refer to the faucet and drain manufacturer's instructions. Complete the faucet connections. Run water and check for leaks. Apply a bead of silicone behind the top surface to the finished wall.

**RESIN BASIN ART. 50177**

Top view of sink


**RESIN BASIN ART. 50178**

Top view of sink



**Installation notes:**

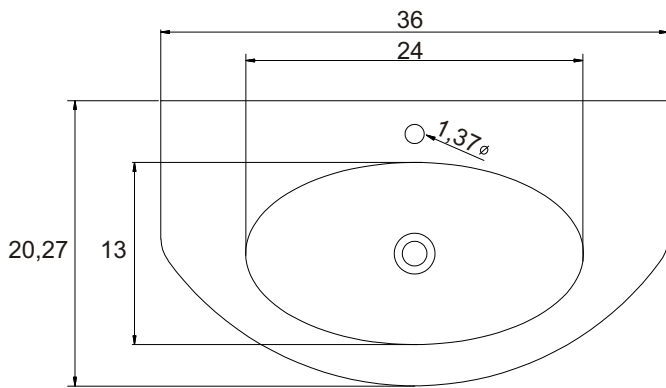
Faucet and silicone are not included.  
 All sizes are subject to tolerance.

**Sink assembly**

Install the faucet to the top and drains to the sink. Refer to the faucet and drain manufacturer's instructions. Complete the faucet connections. Run water and check for leaks. Apply a bead of silicone behind the top surface to the finished wall.

**GLASS EXTRA-LIGHT BASIN ART. 82399**

Top view of sink


**GLASS EXTRA-LIGHT BASIN ART. 82368**

Top view of sink

