

It's all
about the
experience



BADEN HAUS S.p.A.
SINCE 1979
www.badenhaus.it

HANGING CABINET

Series Qubo - Art. 54974/54975

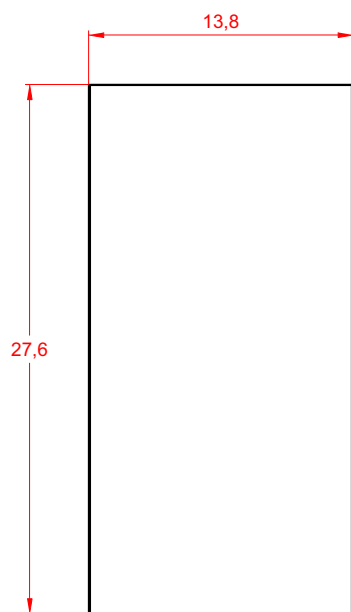
Features:

Includes adjustable support

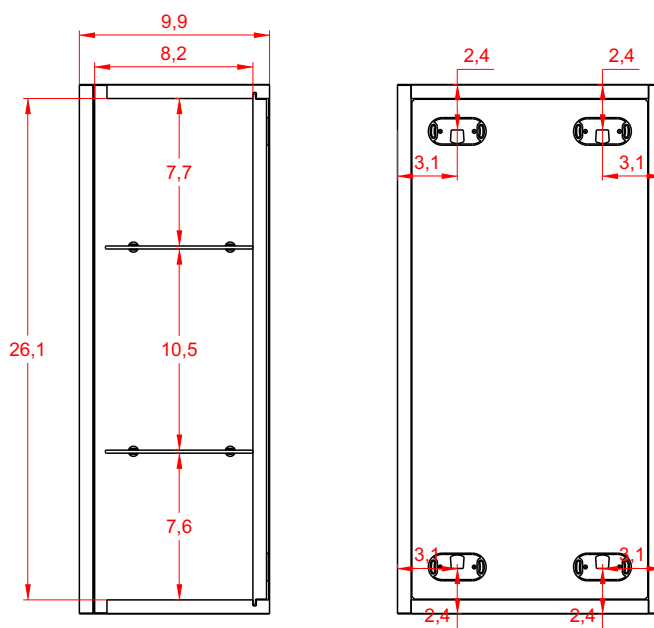
Includes installation hardware

Micro-Density Fiberboard (MDF) construction

Side view



Back view





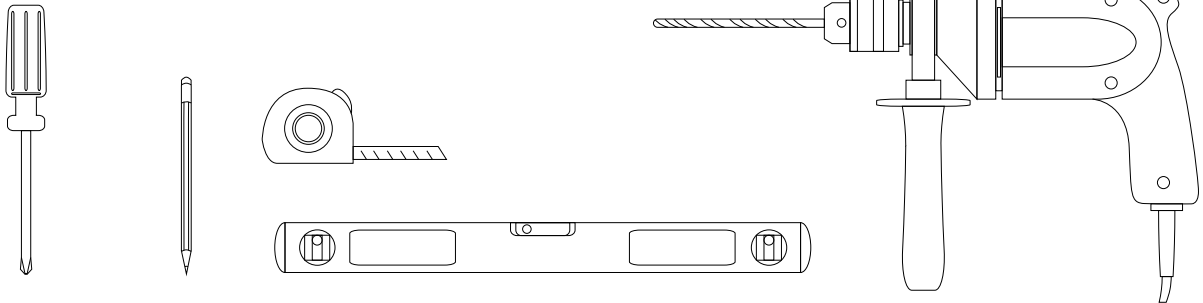
HANGING CABINET

Series Qubo

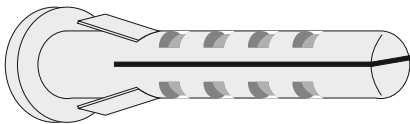
Installation notes:

Install this product according to the installation guide.
Choose fitting hardware according to wall material.

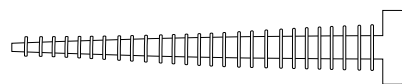
Installation tools not included:



Parts supplied:



X2



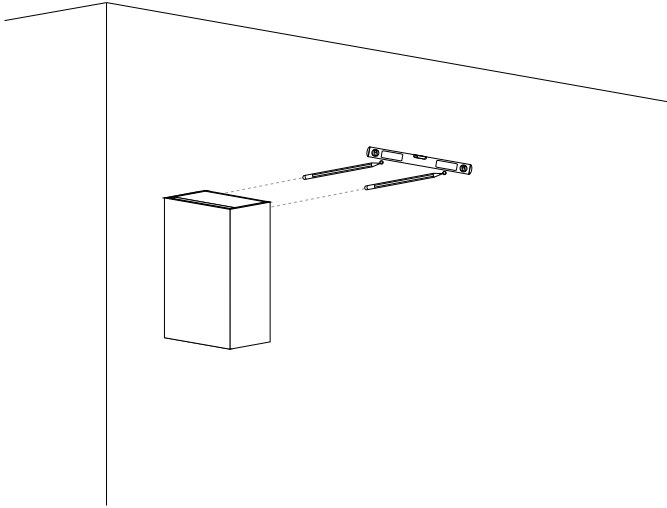
X2



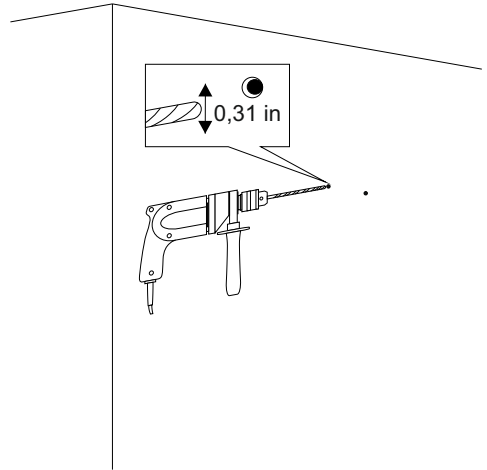
HANGING CABINET

Series Qubo

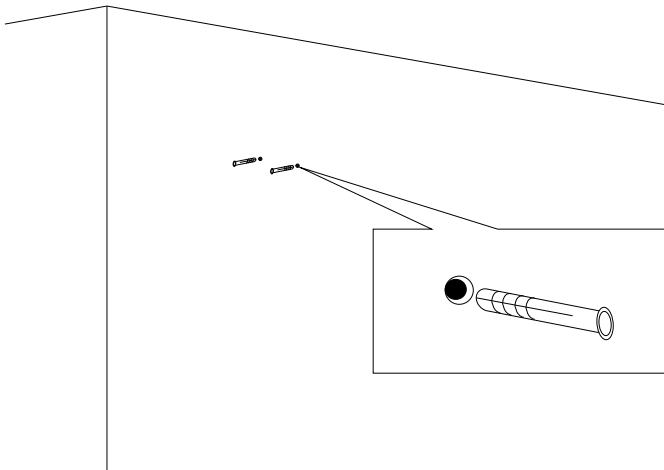
1



2



3



4

