



## USRB-18 Swanstone Undermount Round Bowl Kitchen Sink

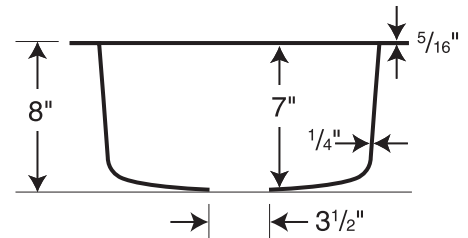
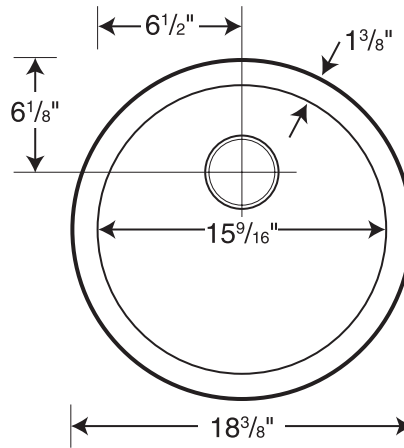
**WARRANTY**  
 Limited Lifetime – Residential  
 Limited 10-year – Commercial

**Manufactured from Swanstone solid surface**  
 (See page 2 for detailed information.)

*Recommended for high-use traffic areas and commercial surfaces.*

### FEATURES

- Reinforced solid surface means color and texture run all the way through and cannot wear away.
- Mounts underneath your choice of countertop for high-design appeal.
- Heat, stain, and scratch resistant for lasting beauty.



Capacity: 5-1/2 gallons

### SPECIFICATIONS

#### USRB-18 Swanstone Undermount Round Bowl Kitchen Sink

Model	Part	Nominal Dimensions	Ship Wt. Lb.	Ship FedEx	Carton Dims. In.	Cu. Ft.
USRB-18	US00018RB	18-3/8" Diameter (467 mm)	18	FedEx	22 x 21 x 10	2.67

### COLORS

#### Solid Colors:

- White (010)
- Bisque (018)
- Bone (037)

#### Aggregate Colors:

- Arctic Granite (035)
- Baby's Breath (168)
- Barley (091)
- Bermuda Sand (040)
- Black Galaxy (015)
- Canyon (124)
- Glacier (121)
- Gray Granite (042)

- Night Sky (012)
- Pebble (072)
- Prairie (122)
- Tahiti Desert (050)
- Tahiti Gray (053)
- Tahiti Ivory (059)
- Tahiti Matrix (058)
- Tahiti Sand (051)
- Tahiti White (011)

✂ Our Planet Colors

### STANDARDS AND RATINGS

American National Standard Institute—ANSI Z124.6  
 International Association of Plumbing and Mechanical Officials (IAPMO)—Listed  
 cUPC listed—Certified to CSA Test Standard B45.5 by IAPMO  
 Uniform Plumbing Code (UPC)  
 National Sanitation Foundation—NSF/ANSI 51 Food Equipment Materials

For a complete list of tests and results see the Technical Data Sheet.

### SUPPORT DOCUMENTS

Installation instructions available at [swanstone.com](http://swanstone.com).

### MAINTENANCE AND CLEANING INFORMATION

Clean your Swanstone sink by using abrasive cleaners or other similar products. Use of a nylon scouring pad or Mr. Clean® Magic Eraser® is also recommended. Food-based stains can be removed using a 50-50 mix of bleach and water solution and soaking for 15 minutes. For rust or other mineral stains, rust-removing products are acceptable. **Do not** use metal scouring pads.

**MADE IN USA**