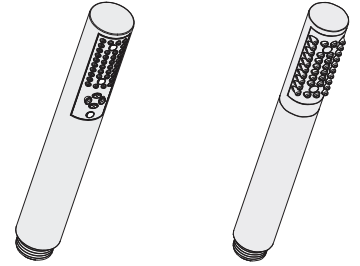


Location:



Hand Shower Wand 402W, 432W

Specification Submittal



Model 402W

Model 432W

Model Numbers

- 402W Two mode hand shower wand
- 432W Single mode hand shower wand

Finish Options

Append appropriate -suffix to model number.

- STN Satin nickel finish
- Polished chrome finish (standard finish)

Compliance

-ASME A112.18.1/CSA B125.1
 -WaterSense (2.0 for 402W only)



Feature Highlights

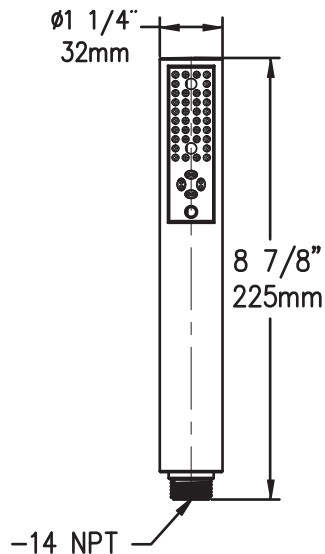
- Metal construction
- Polished chrome finish (standard finish)
- Standard flow rate is 2.5 gpm (9.5 L/min)
Optional lower flow rate restrictor available

Options / Modifications

Append appropriate -suffix to model number.

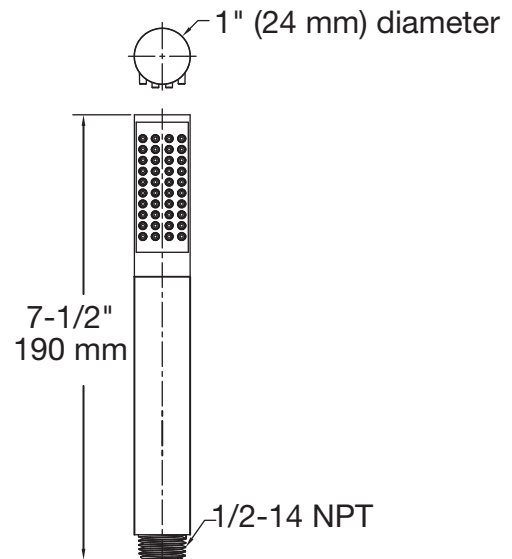
- CG** -1.5 1.5 (5.7 L/min) Flow rate restrictor
- 2.0 2.0 (7.6 L/min) Flow rate restrictor

Dimensions Hand Shower Wand, 402W



Note: Dimensions subject to change without notice.

Dimensions Hand Shower Wand, 432W



Note: Dimensions subject to change without notice.

Symmons Industries, Inc. ■ 31 Brooks Drive ■ Braintree, MA 02184
 Phone: (800) 796-6667 ■ Fax: (800) 961-9621
 Website: symmons.com ■ Email: gethelp@symmons.com

Copyright © 2017 Symmons Industries, Inc. ■ ZV-1716 REV A ■ 021517

