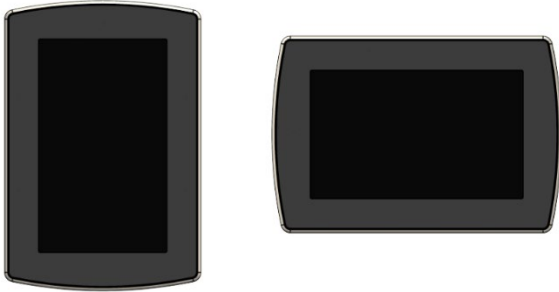


SPECIFICATIONS – Signature Control



Construction.....Brass
 Display.....5” Capacitive Touch screen
 Display Full Color.....16.7M
 Display resolution.....480 x 800
 Interface.....Single Touch

Signatouch Series operational features:

- **Digital Shower**
 - Operates flow, temperature, and output
- **Steam Shower**
 - Operates time, temperature, and auto powerflush
- **Light Sound and rainhead / Hydrovive**
 - Control linked Bluetooth device
 - Control moodlight, shower light, and chromatherapy.

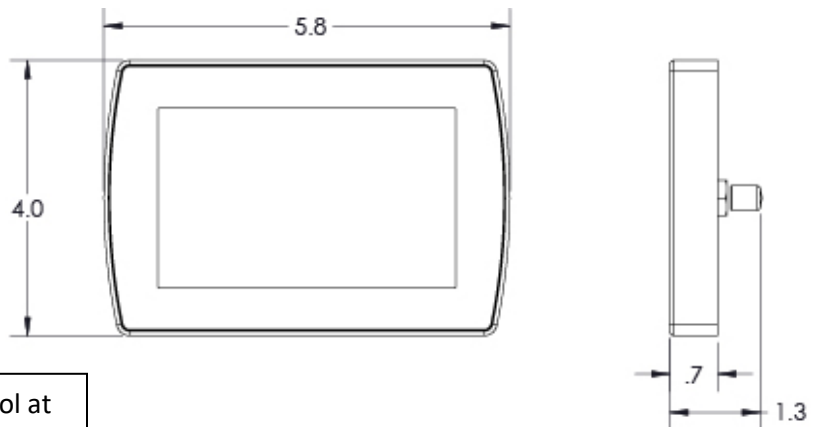
Signatouch Series features:

- Can be mounted vertically or horizontally
- 2 user settings
- 15 finishes

<p>Installation Notes: The control should be installed 60” inches from the floor of the shower, inside the shower only, and away from the steam head.</p>	<p>Finish Chart: Select desired finish and replace XXX with code.</p>	
	<p>PC = Polished Chrome SC = Satin Chrome PB = Polished Brass SB = Satin Brass AB = Antique Brass COP = Polished Copper ACOP = Antique Copper</p>	<p>PN = Polished Nickel SN = Satin Nickel BN = Black Nickel MB = Matte Black AN = Antique Nickel PG = Polished Gold ORB = Oil Rubbed Bronze WHT = White</p>

Product Specification:
 The user interface control shall be 5.8"x4.0"x.7" in dimension. The Control shall be made from 360 brass and includes the ability to operate and control: Smart Steam, Fast Start, Auto PowerFlush, Hydrovive, Light and Sound System. By using a networked digital technology.

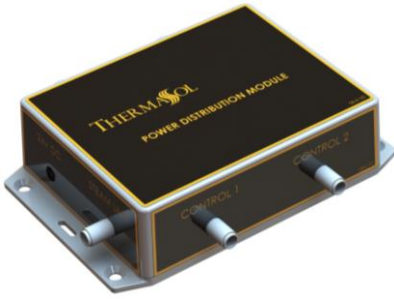
Shipping Information:
 Weight.....1.25 lbs.
 Length.....9.5 in.
 Width.....6.5 in.
 Height.....2.5 in.



For any further assistance please contact ThermaSol at 800.776.0711 or sales@thermasol.com
 Visit www.thermasol.com for a complete product definition

SPECIFICATIONS – POWER DISTRIBUTION MODULE

Construction..... ABS Plastic
 Power Supply UL Listed Class 2 & II, (03-7142)
 Internal Operating Voltage.....24V DC, 60 Watt



Basic Functions:

- Distributes DC Power and Digital signals to system modules:
- Serenity Light, Sound and Rainhead
- ThermaTouch or Signature Series Controls
- Solitude Wireless Module - SWM-2 (signal only)
- Steam Generator (signal only)

Installation Notes:

Overall size is approximately 5-3/4" long by 3-3/4" wide and 1-1/2" high. (Without connections) Allow space; 3" Min. for connections. Unit consists of a low voltage (24VDC) circuit board inside a box that can be placed up to 25 feet from the Light and Sound fixture or up to 50 feet from the Steam Generator. A separate universal voltage Power Adapter is provided (03-7142), it requires a standard 110V AC two prong wall outlet.

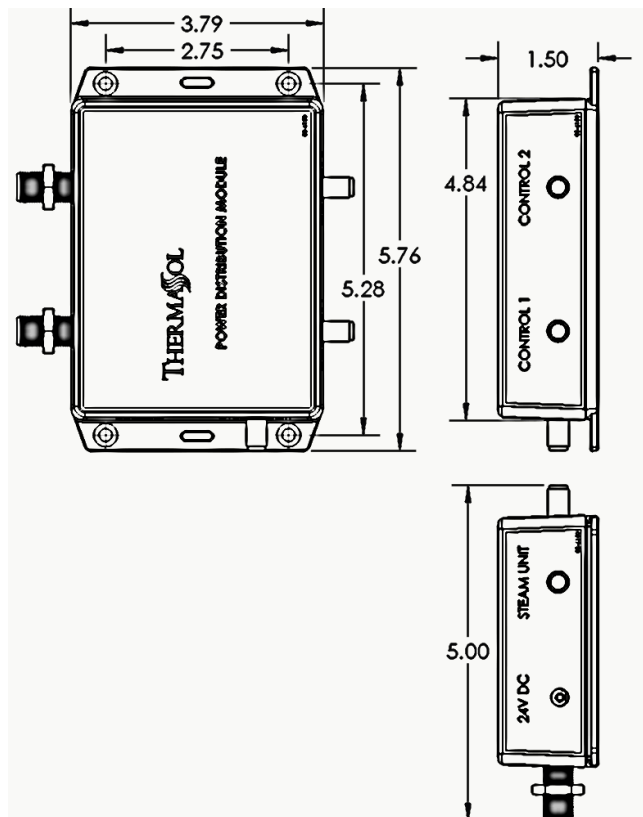
Product Specification:

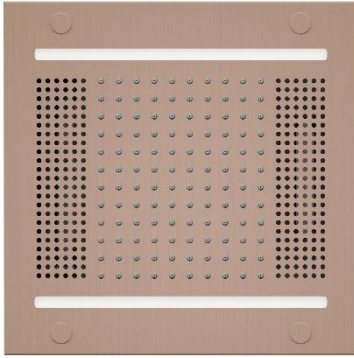
5-3/4" L x 3-3/4" W x 1-1/2" H Body.
 This PDM requires a ThermaSol Steam Generator and/or Light and Sound System and separate power supply for proper operation.

For any further assistance please contact
 ThermaSol at 800.776.0711 or
sales@thermasol.com

Shipping Information:

Weight.....4 lbs.
 Length.....11 in.
 Width.....14 in.
 Height.....8 in.





SPECIFICATIONS – Light and Sound Rain System

Construction.....Machined Brass
 Controllability.....ThermaTouch Series Controls
 Function Lights.....84 Full-color luminous LED
 Rainhead Water Supply.. 3/8” Compression, 40-80 PSI, 1.8GPM
 Water Jets.....120
 CEC Approved

Lighting

- 84 Full-color luminous LED (R,G,B,W)
- Color Changing “Mood Lighting”
- Preset Chromatherapy Chakras
- Custom user programmable “any color”

Audio

- Amplifier: 100Watt RMS, built in Digital Signal Processor
- Built-in Bluetooth v4.2
- 1” x 5” Full range dual driver speaker
- 1- 2” subwoofer module with tuned radiator

Installation Notes:

Overall size is 14.0” SQ x 14.0” tall and requires approx. 13.0” x 13.0” cutout in the shower ceiling. The unit is self-contained as one piece and extends into the ceiling space 8.0” plus plumbing connection clearance. Use a 3/8” compression fitting and a flexible potable waterline to connect to the Rainhead. Use only potable water and approved plumbing fittings for any shower connection. Refer to ThermaSol Installation Instructions for a full-sized template and detailed installation and operation instructions.

Finish Chart:

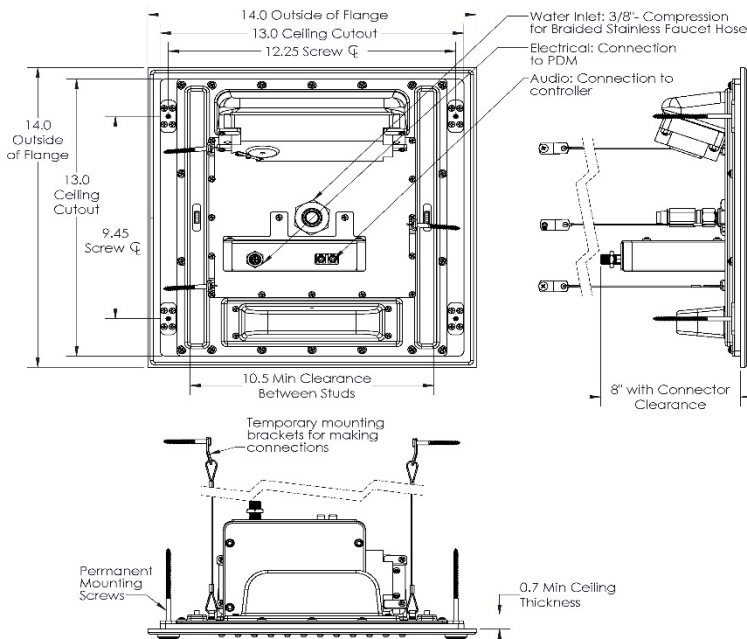
Select desired finish and replace XX with code.

PC = Polished Chrome
 SC = Satin Chrome
 PB = Polished Brass
 SB = Satin Brass
 AB = Antique Brass
 COP = Polished Copper
 ACOP = Antique Copper

PN = Polished Nickel
 SN = Satin Nickel
 BN = Black Nickel
 MB = Matte Black
 AN = Antique Nickel
 PG = Polished Gold
 ORB = Oil Rubbed Bronze
 WHT = White

Product Specification:

A self-contained, Light and Sound Rainhead module that creates high-intensity chromatherapy lights and sounds. Rainhead is rated at 1.8 GPM Max. at 80 PSI and requires a separate diverter port with shut off valve. Powered by: provided PDM power supply.



For any further assistance please contact ThermaSol at 800.776.0711 or sales@thermasol.com
 Visit www.thermasol.com for a complete product definition

Shipping Information:

Weight..... 22 lbs.
 Length.....22 in.
 Width.....22 in.
 Height.....11 in.



SPECIFICATIONS – SteamVection Steam Head

Construction..... Brass
Aromatherapy..... Integral Reservoir

Installation Notes:

The steam head should be installed 24 inches from the floor, and 6 inches from any corner, inside the shower only, and as far away from the controller and shower fixtures as possible.

The steam head housing requires a 1-1/8" hole in the shower wall, and must be flush with the finished wall and sealed to the wall to not allow vapor or water behind it. Use 1/2" copper fittings to attach the housing to the steam outlet. See the full steam head housing instructions within your generator installation guide.

Product Specification:

The steam head shall be approximately 1.75" x 1.75" in the square version, and a 1.75" Dia. For the round version. The steam head is made from brass alloy and includes an aromatherapy well.

Finish Chart:

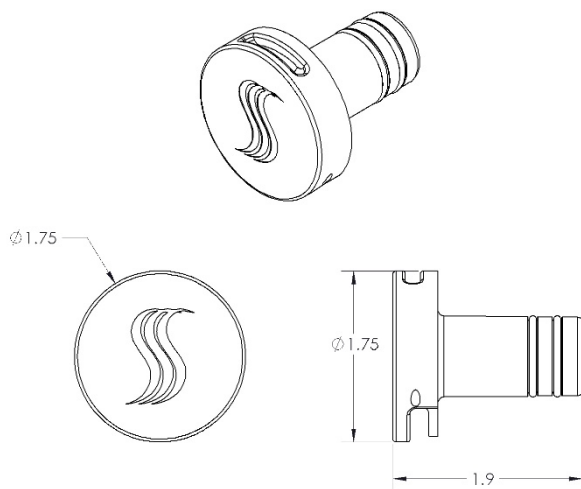
Select desired finish and replace XX with code. No-Touch Aromatherapy steam head and control finishes.

PC = Polished Chrome	PN = Polished Nickel
SC = Satin Chrome	SN = Satin Nickel
PB = Polished Brass	BN = Black Nickel
SB = Satin Brass	AN = Antique Nickel
AB = Antique Brass	PG = Polished Gold
COP = Polished Copper	ORB = Oil Rubbed Bronze
ACOP = Antique Copper	WHT = White
MB = Matte Black	

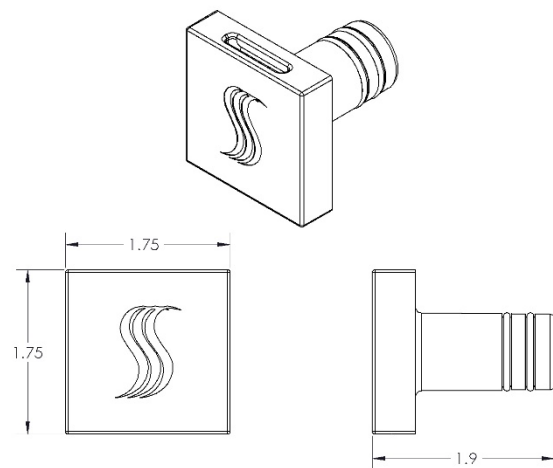
Shipping Information:

Weight..... 1 lbs.
Length.....9.5 in.
Width.....3.5 in.
Height.....2.5 in.

For any further assistance please contact
ThermaSol at 800.776.0711 or
sales@thermasol.com



Round Style



Square Style