



SEATTLE
Towel Warmer
Chauffe-serviettes
Calentador de toallas

PRODUCT SPECIFICATION SHEET

SEATTLE SERIES

SEA-0800600-PC



FEATURES

- WALL MOUNTED
 - HARDWIRE INSTALLATION KIT
 - MOUNTING INSTRUCTIONS
 - ALL ELECTRIC AND OIL FILLED
 - COVER PLATES
- TIMERS AVAILABLE SEPARATELY (NOT INCLUDED)

SIZES

- 800x600 MM
- 1200x600 MM

STOCKED FINISHES

- POLISHED CHROME (PC)
- POLISHED NICKEL (PN)
- BRUSHED NICKEL (BN)
- MATTE BLACK (MB)



SEA-0800600-BN

SEA-0800600-PN

SEA-0800600-MB

SEE OVER FOR SPECIFICATION DRAWINGS

Product Code	Finishes	Sizes (mm)		Sizes (Inches)		Output (Watts/BTU)	Element Size	Number of Elements
		Height	Width	Height	Width			
SEA-0800600	PC, BN, PN, MB	800	600	31.5	23.62	288 / 981	150W	16
SEA-1200600	PC, BN, PN, MB	1200	600	47.24	23.62	431 / 1472	300W	24



Distributed by Kartners Bathroom Accessories
Address: North Vancouver, British Columbia, Canada
toll free number: 1-877-490-3537
website: www.vernontowelwarmers.com

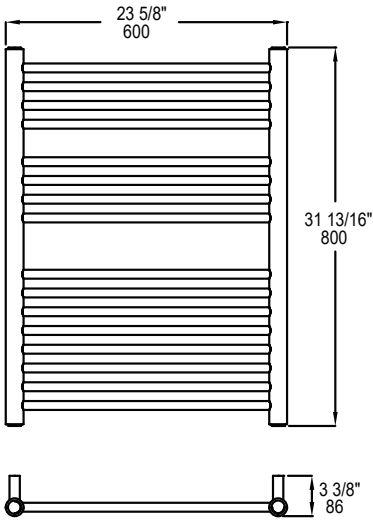
Email: support@vernontowelwarmers.com



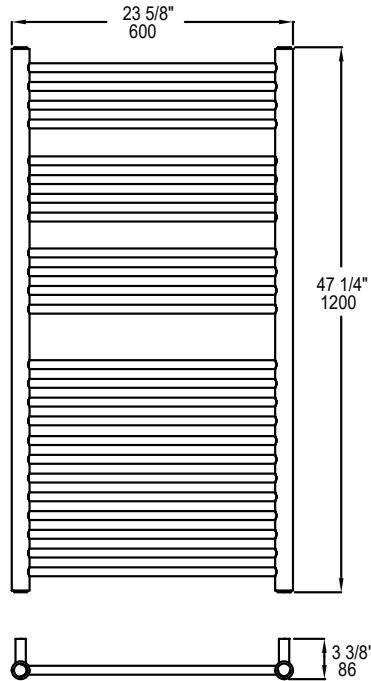
SEATTLE
Towel Warmer
Chauffe-serviettes
Calentador de toallas

PRODUCT SPECIFICATION SHEET

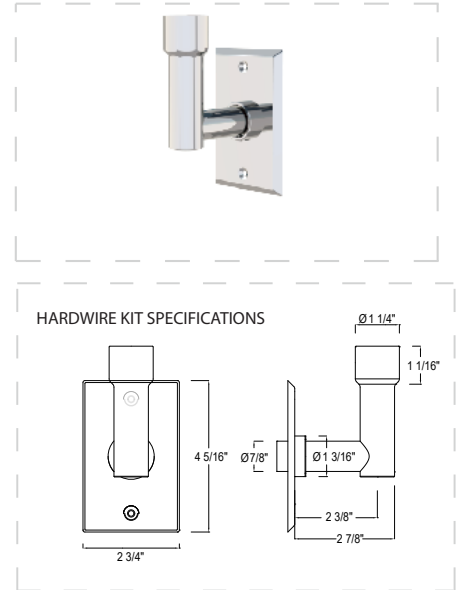
SEA-0800600



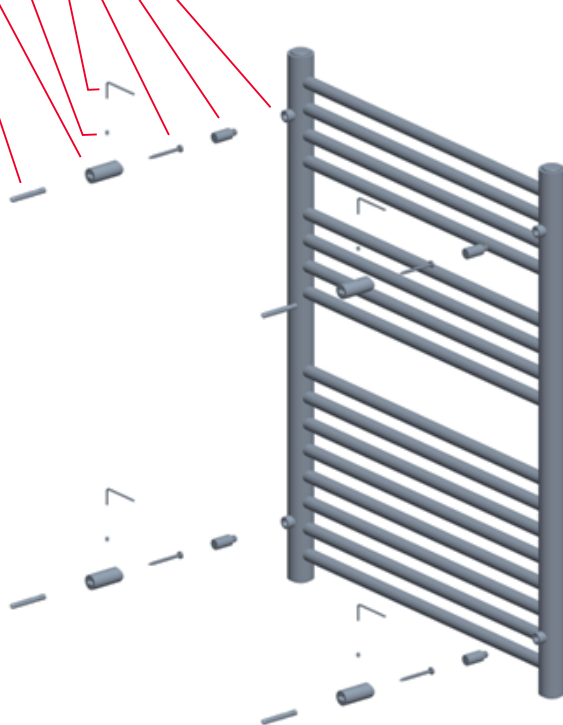
SEA-1200600



Vernon Towel Warmer Hardwire Kit Round -PC
Code: VTW-HWK-RD-PC



7 6 5 4 3 2 1



**Installation
Diagram 3
- Seattle**

1. Solid fixing lug
2. Wall support core
3. Wall screw
4. Allen key
5. Grub screw
6. Wall support
7. Wall plug

TIMERS AVAILABLE



VPT24-1PZ



DDS15-BDZ



Distributed by Kartners Bathroom Accessories
Address: North Vancouver, British Columbia, Canada
toll free number: 1-877-490-3537
website: www.vernontowelwarmers.com

Email: support@vernontowelwarmers.com