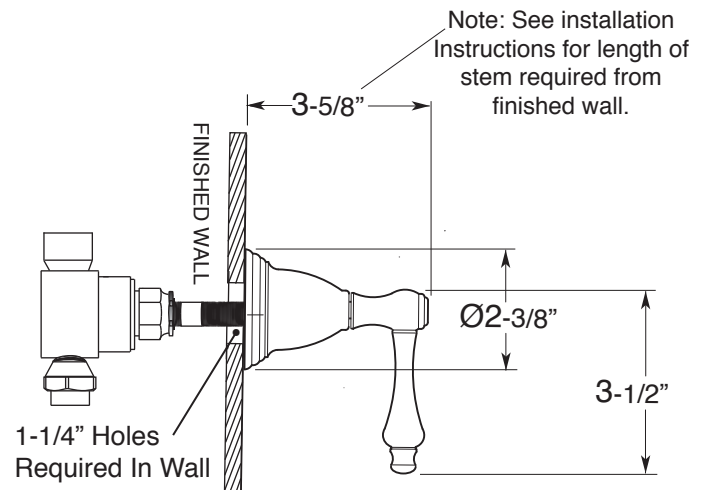
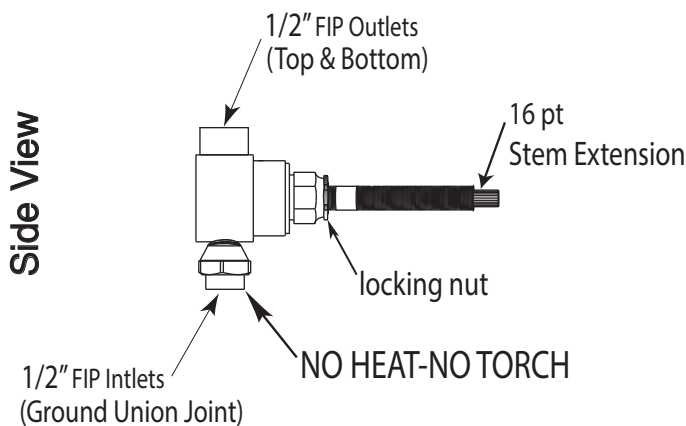
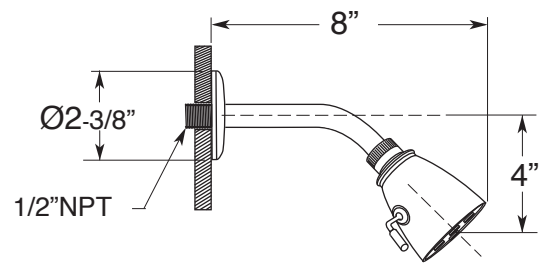
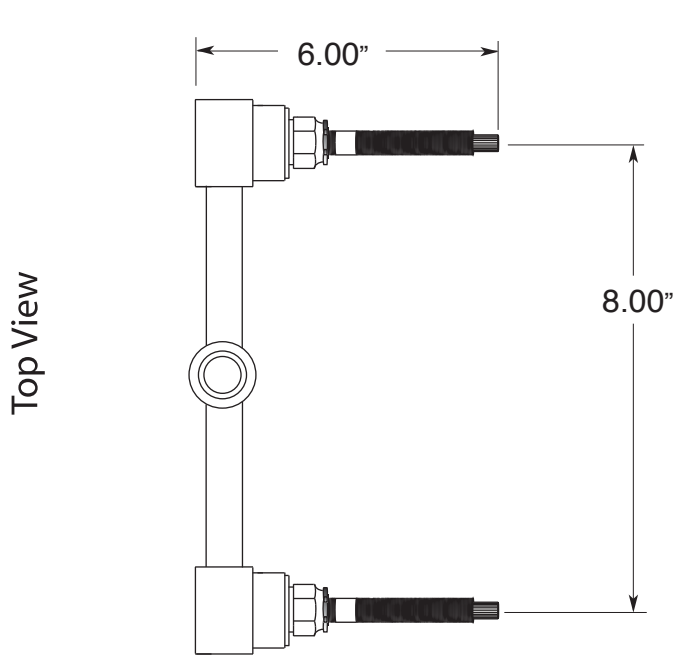


Features:

- Forged brass construction
- 8" Center to Center valve (18.30.008)
- 10" Center to Center valve available on request (18.30.141)
- Replacement ceramic disc cartridges:  
COLD 18.30.035 / HOT 18.30.036
- Certified to meet or exceed the following codes and standards:  
ASME A112.18.1/CSAB 125.1-2011

**2 Valve Shower Set**  
8" Spread  
1.001742  
**Montreal Handle**  
(1.001742T Trim Only)



Note: Measurements are subject to change or cancellation. No responsibility is assumed for use of superseded or voided pages.