

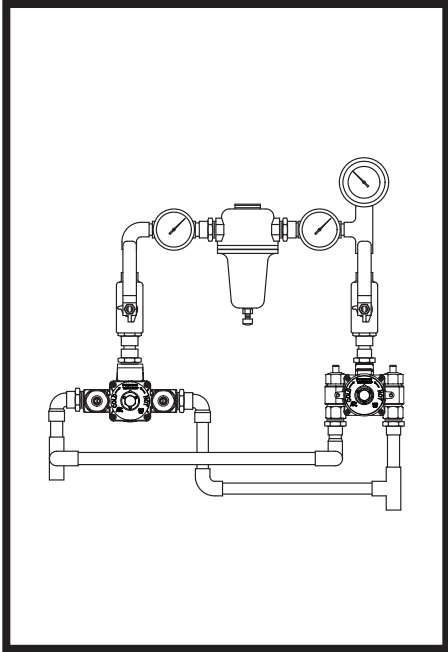
TEMPCONTROL® Hi-Low Thermostatic Mixing Valve and Piping System

Consists of two (2) thermostatic controllers with check stops, removable cartridge with stainless steel piston and thermal motor and Turbulator™, inlet manifold piping, pressure reducing valve (PRV), two (2) pressure gauges, two (2) ball valves, bi-metal dial thermometer 3" (76mm) face, range 20°–240°F (-7°–116°C), connecting piping and fittings. Standard rough bronze and copper finish. Factory assembled and tested.

Model No.	Inlets	Outlet
<input type="checkbox"/> 7-200-102-PRV	3/4" (19mm)	3/4" (19mm)
<input type="checkbox"/> 7-400-102-PRV	3/4" (19mm)	1" (25mm)
<input type="checkbox"/> 7-500-102-PRV	1" (25mm)	1 1/4" (32mm)
<input type="checkbox"/> 7-700-102-PRV	1 1/4" (32mm)	1 1/2" (38mm)
<input type="checkbox"/> 7-900-102-PRV	1 1/2" (38mm)	1 1/2" (38mm)
<input type="checkbox"/> 7-900-200-PRV	1 1/2" (38mm)	1 1/2" (38mm)
<input type="checkbox"/> 7-1000-102-PRV	1 1/2" (38mm)	2" (51mm)
<input type="checkbox"/> 7-1000-200-PRV	1 1/2" (38mm)	2" (51mm)
*The 7 Series model numbers above replace the 6 Series.		

Modifications:

- Suffix STN/POL:** Satin spray with polished chrome finish
- Suffix STN:** Satin spray finish



TempControl valves are certified to:
 ASME A112.18.1/CSA B125.1
 CSA B125.3
 ASSE 1017
 CA 116875 (AB 1953)
 NSF 372
 US S.3874



Job/Location

.....

Engineer

.....

Contractor

.....

For ADA compliance (Americans with Disabilities Act) consult ADAAG or your state regulations for proper product choice and mounting locations.

Flow Rate - gpm (L/min)								
Valve Model	Min. Flow Rate*	Min. Flow Rate (per ASSE 1017)	Pressure Differential - psi (kPa)					
			5 psi (34 kPa)	10 psi (69 kPa)	20 psi (138 kPa)	25 psi (172 kPa)	30 psi (207 kPa)	45 psi (310 kPa)
7-102	0.5 gpm (1.9 L/min)	0.5 gpm (1.9 L/min)	1 gpm (4 L/min)	3 gpm (11 L/min)	6 gpm (23 L/min)	7 gpm (27 L/min)	8 gpm (30 L/min)	11 gpm (42 L/min)
7-200	0.5 gpm (1.9 L/min)	5 gpm (19 L/min)	7 gpm (27 L/min)	12 gpm (46 L/min)	18 gpm (68 L/min)	21 gpm (80 L/min)	23 gpm (87 L/min)	27 gpm (102 L/min)
7-400	0.5 gpm (1.9 L/min)	9 gpm (34 L/min)	18 gpm (68 L/min)	27 gpm (102 L/min)	37 gpm (140 L/min)	41 gpm (155 L/min)	44 gpm (167 L/min)	53 gpm (201 L/min)
7-500	0.5 gpm (1.9 L/min)	13 gpm (49 L/min)	22 gpm (83 L/min)	38 gpm (144 L/min)	50 gpm (190 L/min)	55 gpm (209 L/min)	59 gpm (224 L/min)	70 gpm (265 L/min)
7-700	0.5 gpm (1.9 L/min)	13 gpm (49 L/min)	25 gpm (95 L/min)	43 gpm (163 L/min)	57 gpm (216 L/min)	62 gpm (235 L/min)	66 gpm (250 L/min)	77 gpm (292 L/min)
7-900	0.5 gpm (1.9 L/min)	13 gpm (49 L/min)	30 gpm (114 L/min)	55 gpm (209 L/min)	76 gpm (288 L/min)	84 gpm (318 L/min)	89 gpm (337 L/min)	104 gpm (394 L/min)
7-1000	0.5 gpm (1.9 L/min)	13 gpm (49 L/min)	38 gpm (144 L/min)	67 gpm (254 L/min)	100 gpm (379 L/min)	111 gpm (421 L/min)	120 gpm (455 L/min)	140 gpm (531 L/min)